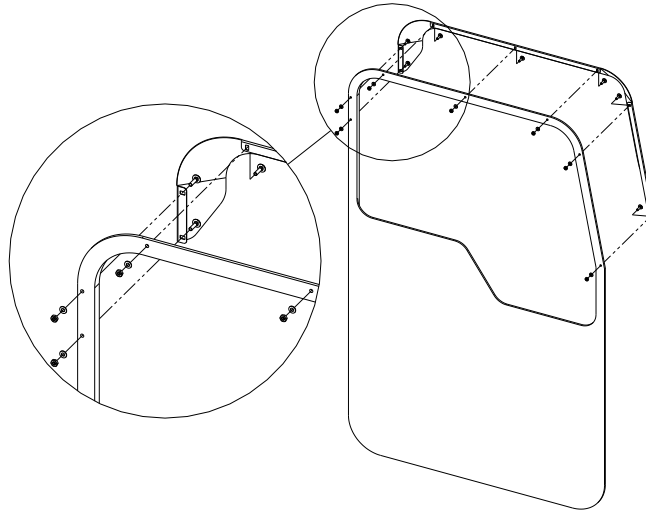


## STAINLESS STEEL ACCESSORIES

# WINDOW SHADE, KENWORTH T660, T800

### INSTALLATION INSTRUCTIONS

1. Please note this part may be secured with two sided tape only, however fastening with supplied hardware (steps 2-4) is highly recommended.
2. Line up vent shade to follow contour of door as shown and mark holes for future drilling (access is difficult, marking may require a hook shaped scriber)
3. Set window shade aside and drill through marked holes with Ø1/4" drill bit.
4. Fasten with supplied hardware as shown.



Driver side shown, use reverse orientation for passenger side

