

STAINLESS STEEL ACCESSORIES

T300, T600, T800 DAYCAB EXTENDED SUNVISOR

INSTALLATION INSTRUCTIONS

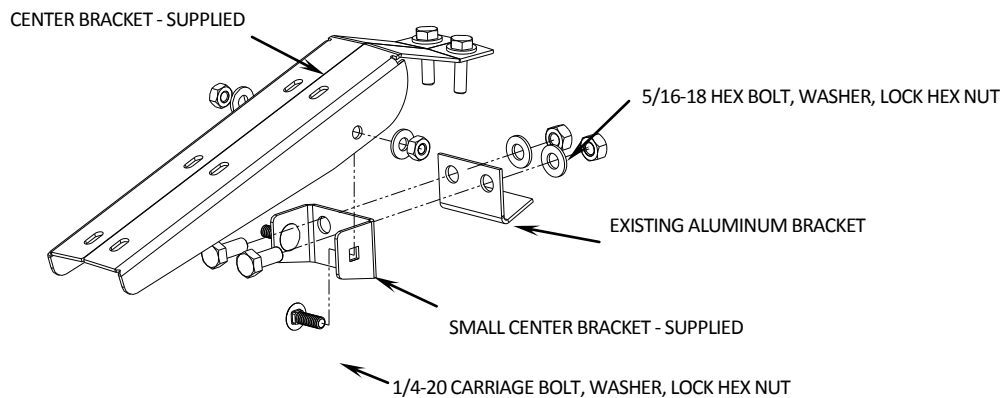
*NOTE

- Use generous amounts of silicone in all bolt holes in roof.
- Removal of interior headliner and use of nuts and washers inside roof is strongly recommended.

HARDWARE INCLUDED FOR INSTALLATION

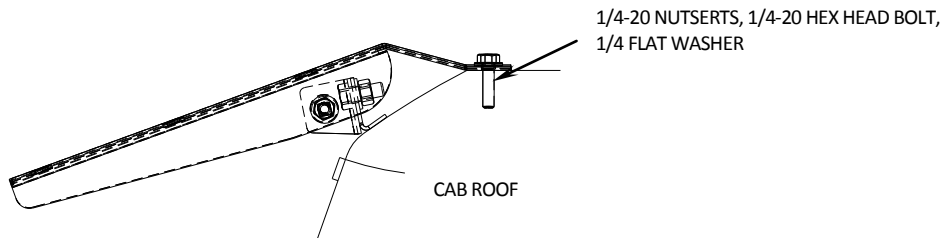
1	INSERT SETTING TOOL	2	1/4-20 X 1/2" CARRIAGE BOLTS
1	SILICONE TUBE	2	5/16 -18 X 3/4" HEX HEAD BOLTS
5	WIRE CLIPS, FACTORY LIGHTS	4	5-16 FLAT WASHER
7	1/4-20 NUTSERTS	2	5/16 -18 X 3/4" NYLOCK HEX NUTS
8	1/4-20 NYLOCK HEX NUTS	12	10-32 X 1/2" TRUSS HEAD BOLTS
6	1/4-20 X 3/4" HEX HEAD BOLTS	10	10-32 X 3/4" TRUSS HEAD BOLTS
14	1/4 FLAT WASHERS	22	#10 FLAT WASHERS
2	1/4 TOOTH LOCK WASHER	22	10-32 NYLOCK HEX NUTS

1. Leave all bolts loose until the last step.
2. DO NOT REMOVE plastic coating until the last step, to prevent scratches.
3. Remove lights and bezels from existing sunvisor.
4. Remove plastic strip housing the wiring harness from plastic sunvisor.
5. Completely remove sunvisor, leaving center bracket on roof of cab.
6. Attach small "C" channel to center bracket (loosely) with opening facing forward, insert bolts (5/16" x 3/4") with the bolt head to the inside of brackets, locknuts and flat washers outside.
7. Assemble center bracket to small centre bracket.



STAINLESS STEEL ACCESSORIES

8. Mark through bracket holes onto roof, then drill $25/64$ " holes as per markings.
9. Use "insert" tool diagram to install supplied inserts into previously drilled holes.
10. Tighten center bracket using supplied hardware.



11. Attach passenger and driver side brackets loosely to the sunvisor halves.
12. Attach sunvisor halves to center bracket and bolt sunvisor ends to existing holes in cab.
13. When sunvisor is in desired position, mark bolt hole locations of brackets onto roof, positioning feet of side bracket slightly above windshield molding.
14. Remove sunvisor.
15. Drill $25/64$ " holes as per markings.
16. Use "insert" tool diagram to install supplied inserts into previously drilled holes.
17. Attach passenger and driver side brackets to roof.
18. Assemble sunvisor to roof brackets loosely.
19. Align sunvisor halves and tighten all hardware.
20. Install lights and harness using supplied hardware and plastic wire clips.