

STAINLESS STEEL ACCESSORIES

FENDER GUARD, CORONADO SET BACK AXLE

INSTALLATION INSTRUCTIONS

1. Remove plastic from area around holes.
2. Drill 9/32" holes as shown in figure A.
3. Install fender guards as shown in figure B.
4. Remove remainder of plastic from part.

Note: passenger side is shown, driver side is mirror image

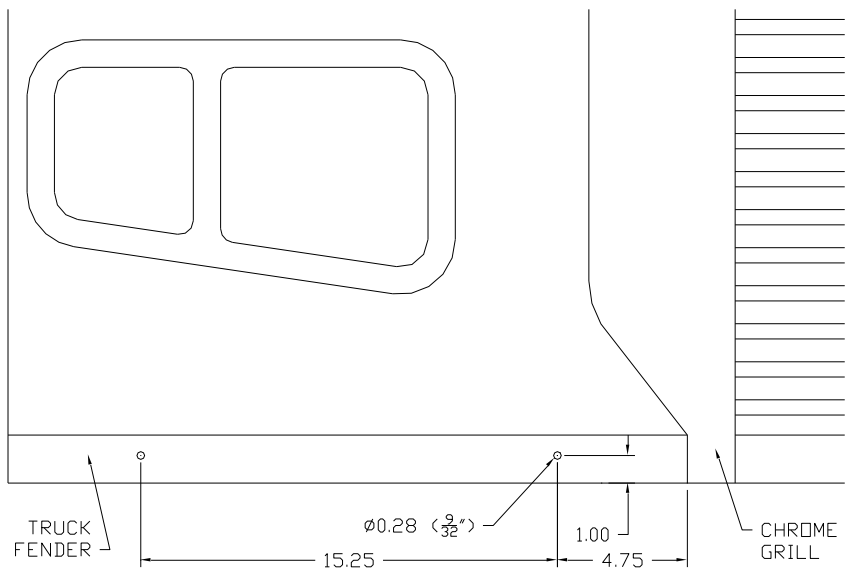


Figure A

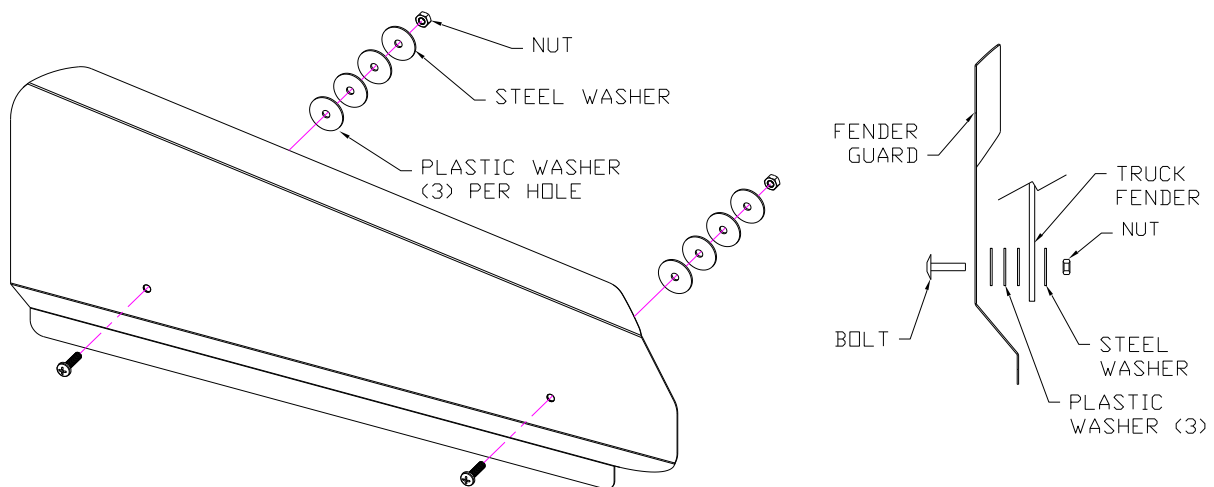


Figure B