

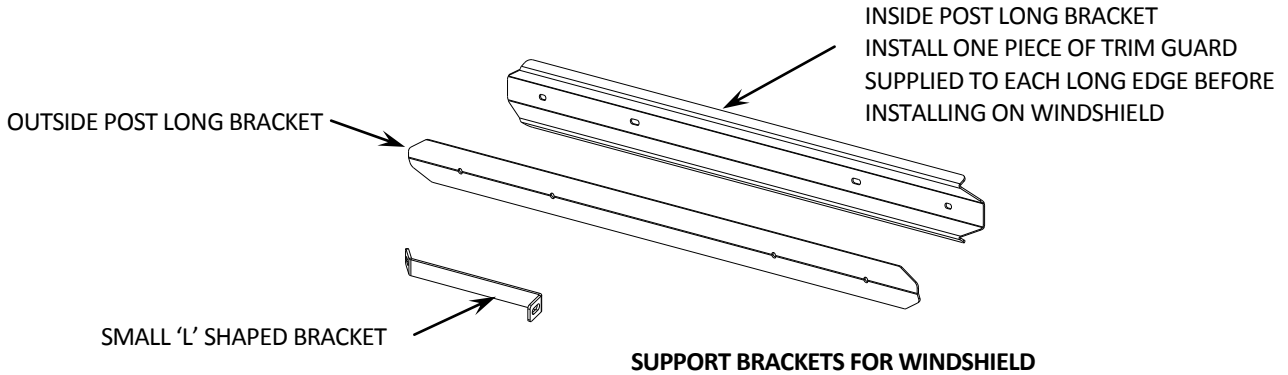
Stainless Steel Accessories

SLOPED/ WIDENED SUNVISORS

INSTALLATION INSTRUCTIONS

*** NOT INSTALLING SUPPORT BRACKET MAY CAUSE CAB ROOF DAMAGE***

1. Peel plastic from around all bolt holes.
2. Do not tighten bolts until last step.



3. Hold inside post long bracket over center post of windshield, inside cab. Drill holes through centre post.
4. Place outside post long bracket on outside of windshield. Using supplied 10-32 hardware, secure the outer and inner brackets on windshield column.
5. Install brackets on roof into existing inserts. Ensure brackets are installed in their proper positions (center, outer, and inner). Do not tighten completely; use generous amounts of silicone to seal holes for leakage.
6. Install driver and passenger side sunvisor halves onto brackets, lining up holes. Reuse 1/4" truss head bolts from original visor. Do not completely tighten bolts.
7. Reusing bolts from original visor, install end bolts. Do not tighten completely.
8. Tighten all bolts in the following order: visor onto brackets, brackets to truck, visor ends.

BRACKET KIT			
ITEM	QTY	ITEM	QTY
CENTRE BRACKET	1	1/4-20 HEX HEAD STAINLESS STEEL BOLT	12
INNER BRACKET - DR/PR	1/1	1/4 STAINLESS STEEL NYLON INSERT LOCKNUT	12
OUTER BRACKET	2	1/4 STAINLESS STEEL FLAT WASHERS	12
OUTSIDE POST LONG BRACKET	1	1/4 PLASTIC FLAT WASHERS	12
INSIDE POST LONG BRACKET	1	10-32 X 1 1/2" STAINLESS STEEL TRUSS BOLT	4
SMALL 'L' SHAPED BRACKET	1	10-32 STAINLESS STEEL FLAT WASHER	4
TRIM GUARD BLACK PLASTIC MOULDING	4FT	10-32 STAINLESS STEEL NYLON INSERT LOCKNUT	4
		10-32 NYLON WASHER	4