

STAINLESS STEEL ACCESSORIES

COWL – DRIVER AND PASSENGER SIDES, 389, 2010+

INSTALLATION INSTRUCTIONS

Pre-installation Preparation

Locate the following parts and hardware and assemble as shown in figure:

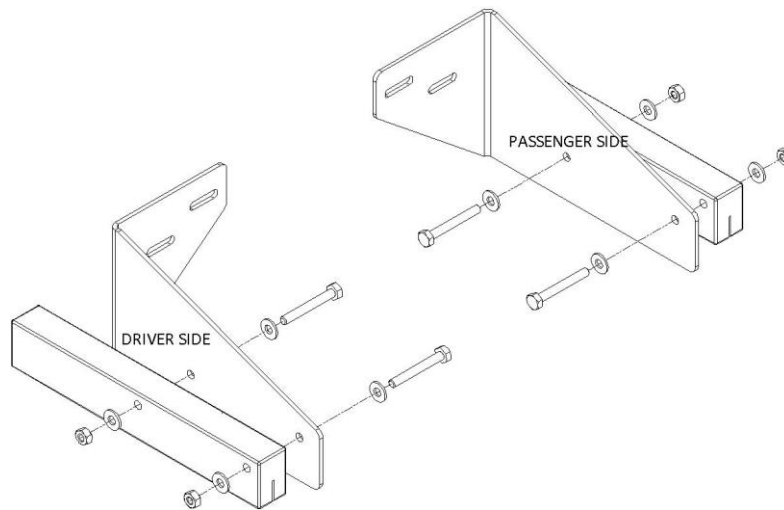
2 Support Brackets (Driver and Passenger)

2 Support Blocks

4 ¼-20x2 Hex Head Bolts

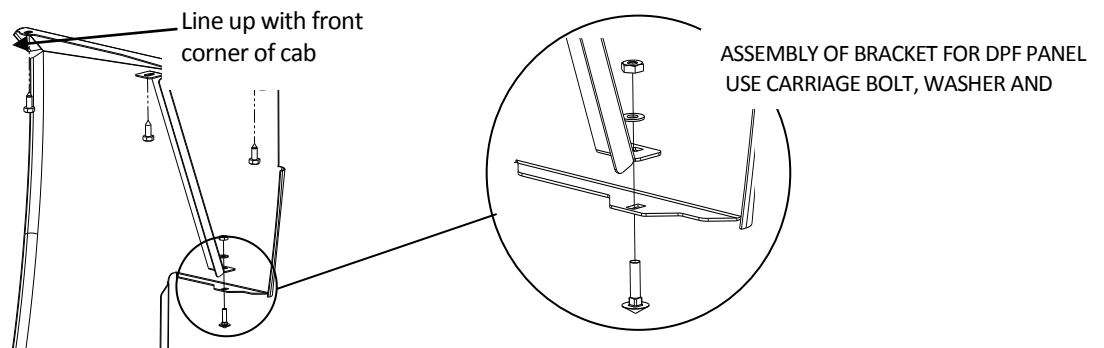
8 ¼ Flat Washers

4 ¼-20 Nylon nuts.



Peel plastic coating from brackets before assembly. Mark bracket assemblies as driver and passenger side.

1. Remove factory cowls and bottom bracket from truck.
2. Assemble bracket to passenger side cowl panel using #10 stainless steel carriage bolt, washer and lock nut supplied. (Cowls without DPF cutouts do not require bracket)



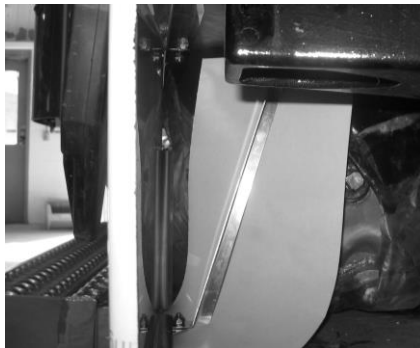
3. With edge of cowl in line with edge of truck, mark the two mounting holes and the mounting hole for the bracket (DPF only).

STAINLESS STEEL ACCESSORIES

4. Line top front corner of the cowl with the front corner of the cab right below the hood latch, see figure below.
5. Do the same for the driver side. (excluding DPF bracket.)

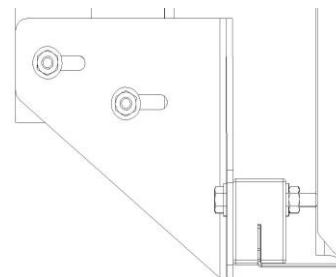
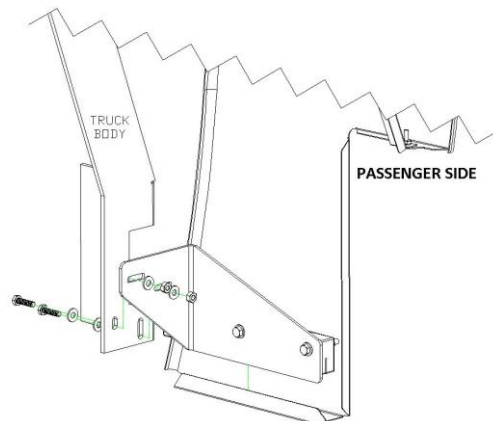


6. Drill pilot holes for #14 sheet metal screws. Before drilling the holes, make sure the hood will not hit the cowl panels when mounted.
7. Fasten top of cowl to truck using the #14 x 3/4" sheet metal screw supplied.



SHOWING INSTALLATION AND LOCATION OF BRACKET FOR DPF COWL

8. Slide the bottom flange of the cowl panel into the groove of the support block and mount the bracket assembly to the truck body as shown below. Use the remaining 1/4" hardware provided. (Leave loose for later adjustments)



9. Adjust cowl panels to desired positions and tighten hardware. Repeat for driver side starting from step 6.
10. Peel plastic coating from cowls. Polish with glass cleaner and soft cloth if necessary.