

Stainless Steel Accessories

FENDER GUARD with Brackets

INSTALLATION INSTRUCTIONS

1. Remove the protective plastic coating from brackets.
2. Mark the drill holes on the front fender step brackets as shown on Diagram 2.
3. Using 5/16" drill bit, drill holes through the top of the bracket.
4. Insert supplied carriage bolts from the bottom of the bracket upwards (bolt head inside fender step bracket). Use the extra non-locking 1/4" nut to tighten the carriage bolt to the bracket. By tightening each bolt individually, the carriage bolt will be pressed/forced into the bracket.
5. Set brackets in place, lining up the bolt holes with the slots. Use the 1/4" washer and locknut to snug up brackets.
6. When brackets are in place, install fender guards on brackets using the supplied 10-32 bolts, washers, and locknuts.
7. When Fender Guard is in desired position, tighten all hardware and remove protective plastic coating. Clean with glass cleaner if necessary.

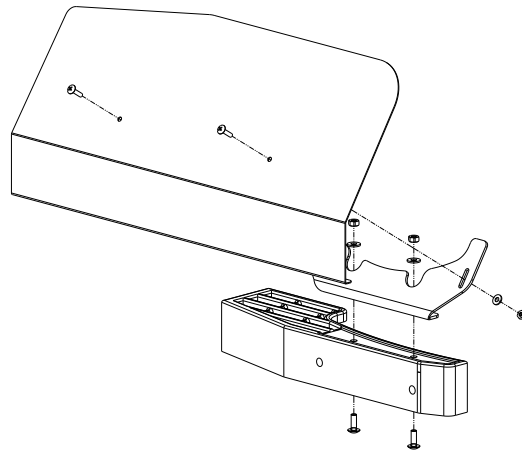


Diagram 1: Exploded assembly view of Fender Guard, Fender Guard Bracket and the Fender Bracket found on vehicle. Note: Driver side of GMX1897 shown in diagram.

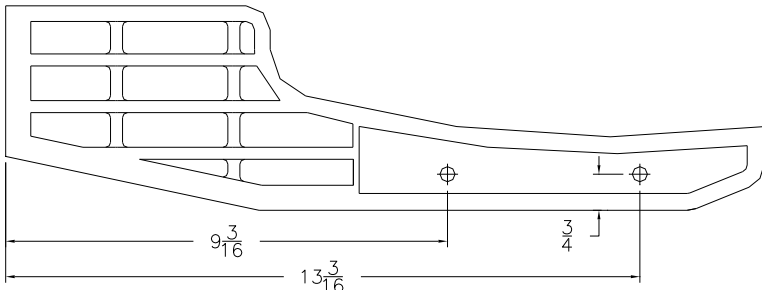


Diagram 2: Top view of Fender Bracket showing drilling locations.