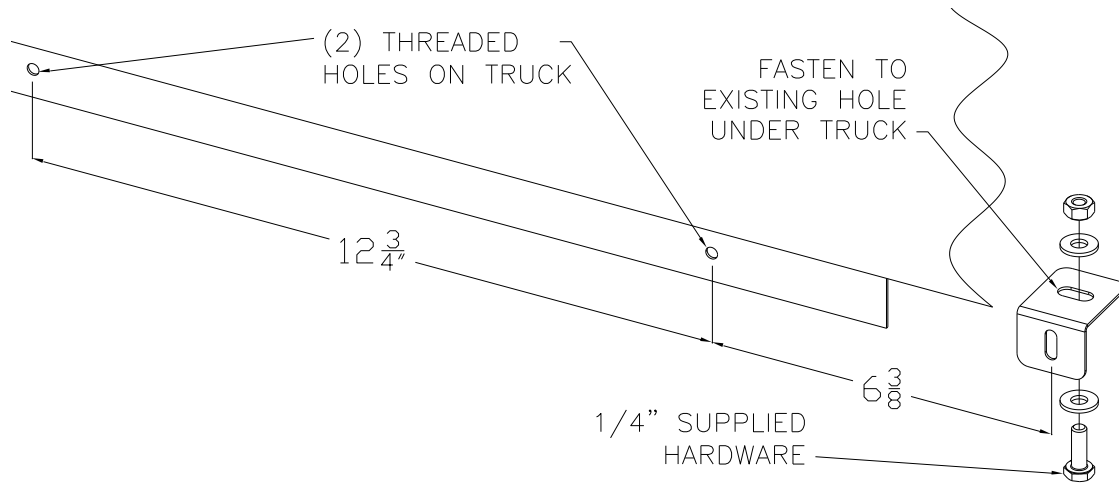


STAINLESS STEEL ACCESSORIES

SKIRT KIT, KENWORTH T660, 2008

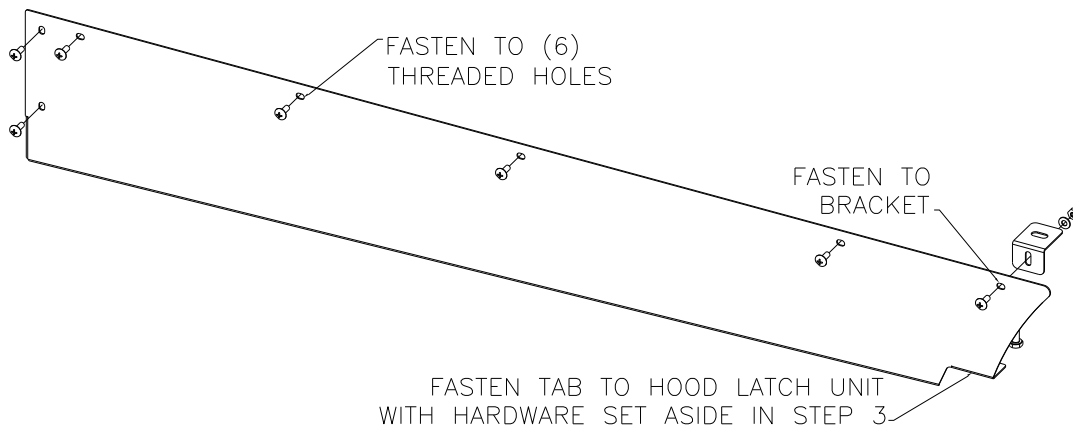
INSTALLATION INSTRUCTIONS

1. Remove rear step by loosening four hex bolts.
2. Remove middle fairing by sliding towards rear of truck.
3. Remove OEM cab skirt. Set aside hardware which attaches bottom of OEM skirt to hood latch unit. This hardware will be used in step 7.
4. Peel plastic from edges of skirting and from around all bolt holes.
5. Remove fasteners from three holes in extender. Set aside hardware for use in step 10.
6. Attach supplied bracket to cab as shown below. (passenger side shown)



7. Attach cab skirt using previously removed hardware. See figure below:

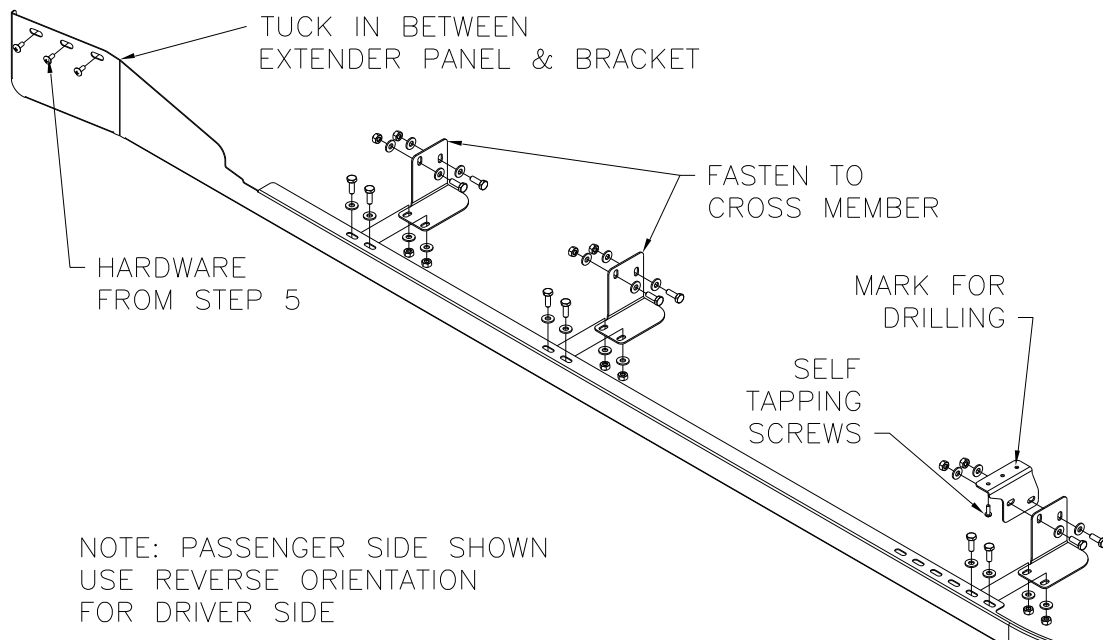
****** Due to various configurations, some trucks will have an extra hole on the cab skirt which may not line up with an existing threaded hole on the truck. Please use the included M5 hardware to "fill" this extra hole as required ******



STAINLESS STEEL ACCESSORIES

8. Fasten brackets semi tight to sleeper skirt using supplied 1/4" hardware (see fig. C)
9. In the following 4 steps the sleeper skirt will be temporarily installed in order to mark holes for drilling. This may require 2 people.
10. Begin installing by tucking the rear of skirt in between extender panel and extender bracket. Line up 3 holes and insert screws to hold in place.
11. At this point the 2 brackets which are towards rear of truck should be close to lining up with holes on 2 cross members under sleeper. Adjust brackets as necessary to align.
12. Ensure the contour of sleeper skirt matches truck and holes line up with cab skirt.
13. Mark holes for drilling into floor of sleeper as shown in figure C.

Figure C



14. Remove sleeper skirt and drill $\text{Ø}1/8$ " holes as marked.
15. Complete assembly by referring to figures C and D. (passenger side shown)

Figure D

