

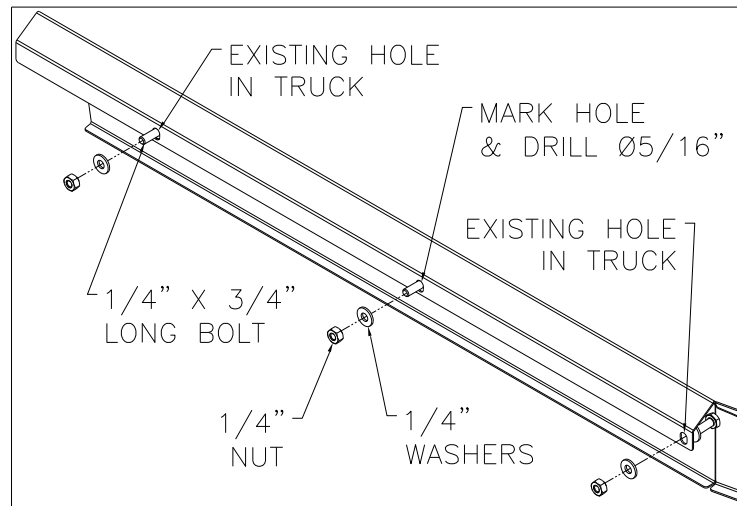
STAINLESS STEEL ACCESSORIES

CASCADIA SKIRTING KIT FOR CAB, SLEEPER & EXTENDER

INSTALLATION INSTRUCTIONS

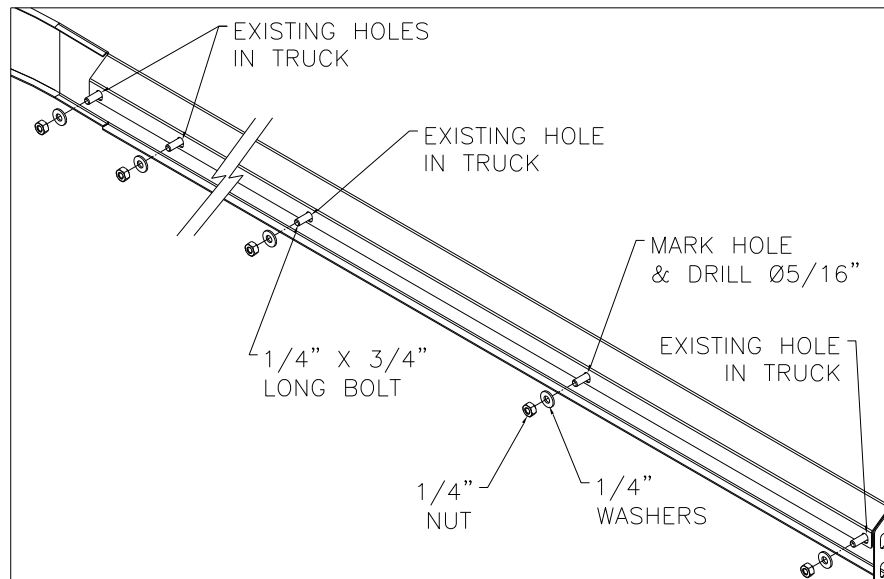
1. Remove factory fiberglass fairings.
2. Temporarily fasten the cab skirt through two existing holes in truck (fig. A). Ensure the top of the skirt is snug up against the truck to minimize the gap.

FIGURE A



3. Temporarily fasten the sleeper skirt through four existing holes in truck (fig. B). Ensure the top of the skirt is snug up against the truck to minimize the gap.

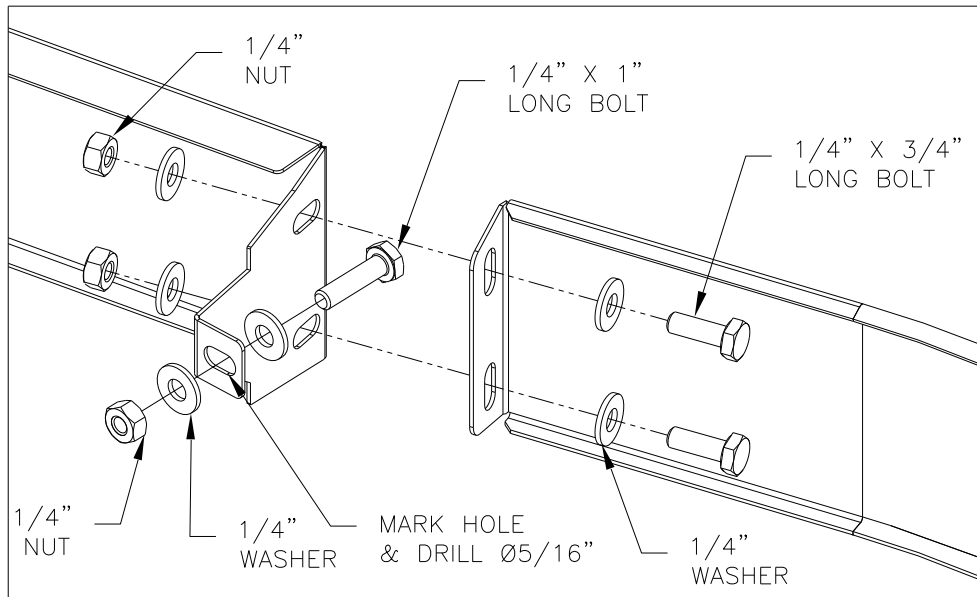
FIGURE B



STAINLESS STEEL ACCESSORIES

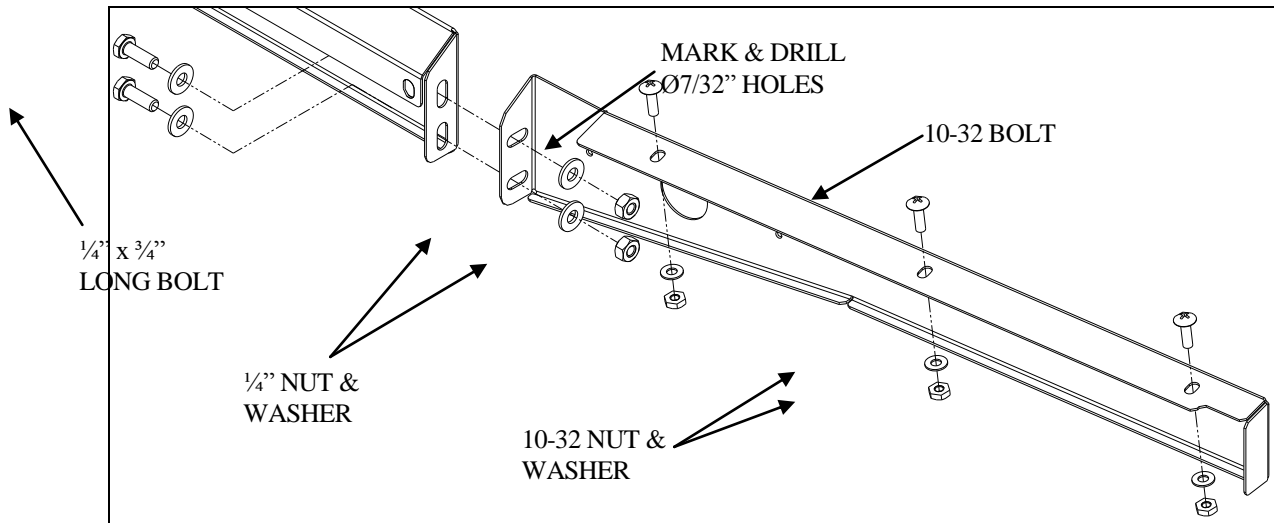
- Temporarily fasten the sleeper skirt to the cab skirt, ensuring proper alignment (fig. C).

FIGURE C



- Temporarily fasten the extender skirt to the sleeper skirt (fig. D) Please note fig D shows 2013+ models. 2012 and earlier differs in appearance, but method of fastening is the same.

FIGURE D



- Mark holes indicated in figures A, B, C and D for future drilling.
- Remove all skirting.
- Drill Ø5/16" holes in previously marked holes in figures A, B and C.
- Drill Ø7/32" holes in previously marked holes in figure D.

STAINLESS STEEL ACCESSORIES

10. Fasten semi tight the cab skirt to the truck (fig A).
11. Fasten semi tight the sleeper skirt to the truck (fig B).
12. Fasten fully the sleeper skirt to the cab skirt, ensuring proper alignment (fig. C).
13. Finish tightening the cab and sleeper skirts. Note: a slight push may be required to fasten the small tab of the cab skirt into the drilled hole of truck (fig. C)
14. Fasten the extender skirt to the sleeper skirt, and to the 7/32" drilled holes in truck (fig. D).
15. Repeat steps 1-14 for driver side (passenger side shown in all diagrams)