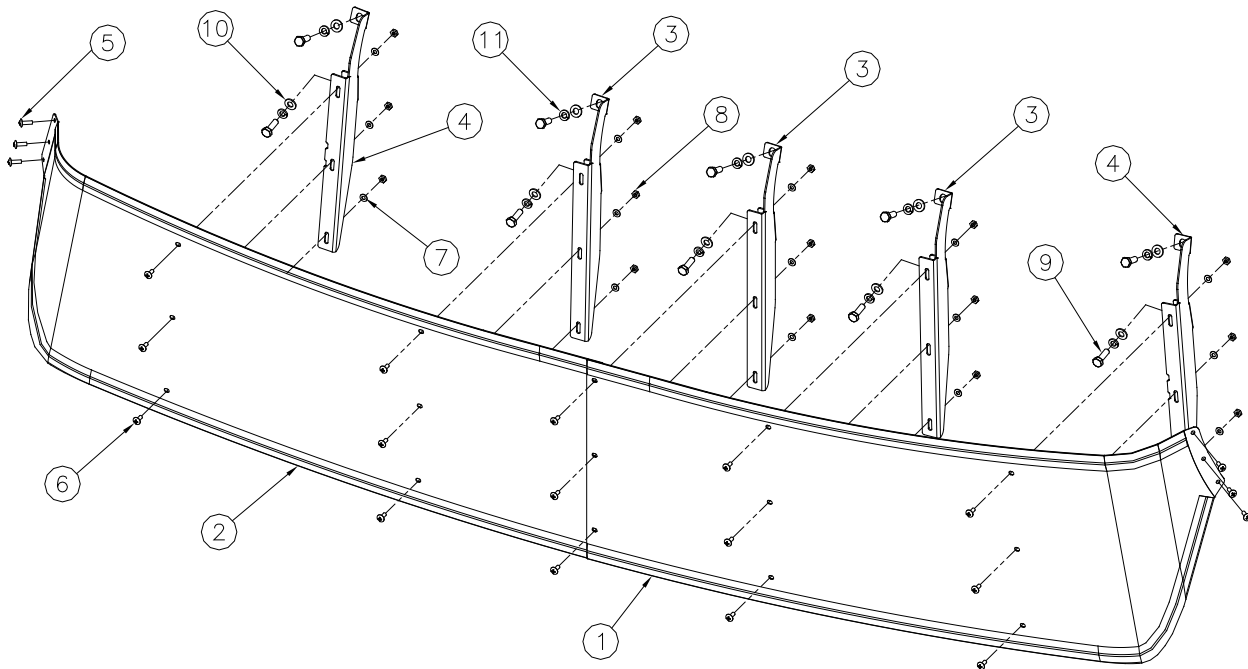


STAINLESS STEEL ACCESSORIES

SUNVISOR, REPLACES OEM FIBREGLASS VISOR, M2 106 112 BUSINESS CLASS, STD ROOF

INSTALLATION INSTRUCTIONS

1. Remove fiberglass sunvisor and then tape corners of cab to prevent scratching.
2. Fasten brackets to existing threaded holes in roof with (2) M8 Hex Cap Screws, (2) 5/16" flat washers and (2) 5/16" lock washers for each bracket.
3. Attach sunvisor halves to brackets using (15) 10-32 screws, #10 washers and 10-32 locknuts. Note how visor halves overlap. It does not matter which overlaps the other.
4. Drill $\text{\O} 1/8$ " holes through the (3) holes in the ends of the visor.
5. Use silicone to seal drilled holes and fasten visor to ends with #10 x 3/4" tapping screws.
6. Remove protective plastic coating.



STAINLESS STEEL ACCESSORIES

1	Driver Sunvisor
2	Passenger Sunvisor
3	Inner Bracket (3)
4	Outer Bracket (2)
5	#10 Tapping Screw (6)
6	10-32 x 1/2" Truss Head (15)
7	10-32 Flat Washer (15)
8	10-32 Locknut (15)
9	M8 Hex Cap Screw (10)
10	5/16" Flat Washer (10)
11	5/16" Lock Washer (10)

