

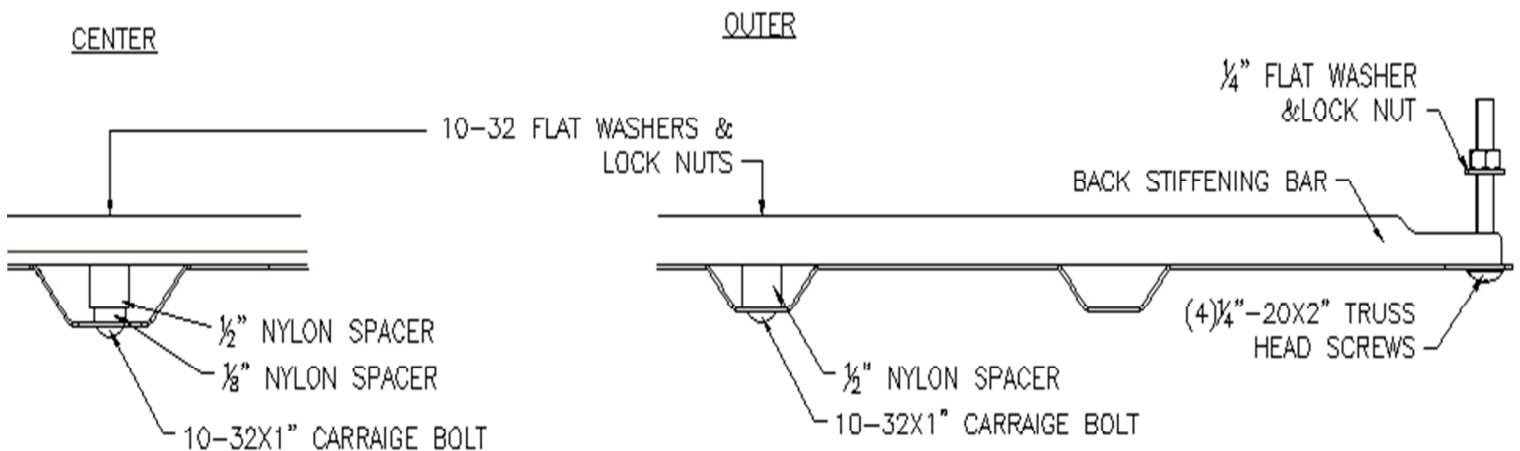


Phone: 519-884-8555
Toll Free: 1-877-884-8555

FRONT GRILLE HX520

INSTALLATION INSTRUCTIONS

1. Remove OEM front grille and U-Spring nuts from outer locations and two across the bottom.
2. Peel plastic from around 6 square holes in front grille and from back stiffening bars.
3. Attach back stiffening bars to back side of grille using 10-32 hardware. Ensure (outer) mounting slots stay aligned with slots in the top and bottom bars. **NOTE NYLON SPACER LOCATIONS AND BAR ORIENTATION. DON'T OVER TIGHTEN!**



4. Peel plastic from around mounting hole locations and fasten grille to truck, leaving hardware loose till all are installed. **NOTE:** (4) 1/4"-20 x 2" Truss screw go to the outer sides, (2) 1/4"-20 x 1" long screw across the bottom and (2) M6 x 20 screws go up top
5. Tighten all screws
6. Peel all remaining plastic, and clean with glass cleaner as necessary.