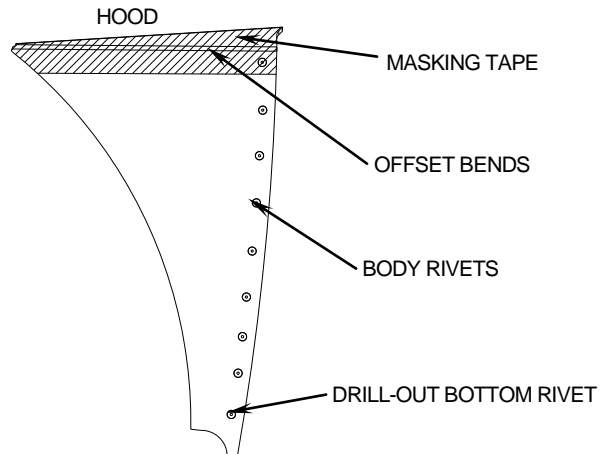


Stainless Steel Accessories

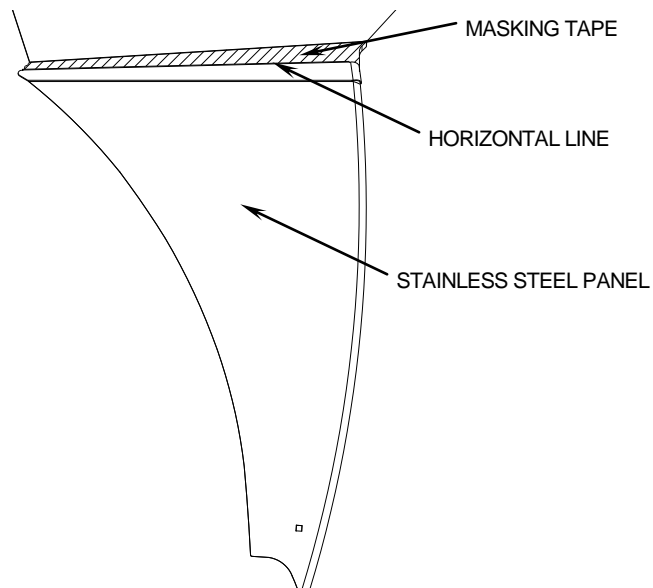
LOWER HOOD PANEL 388

INSTALLATION INSTRUCTIONS

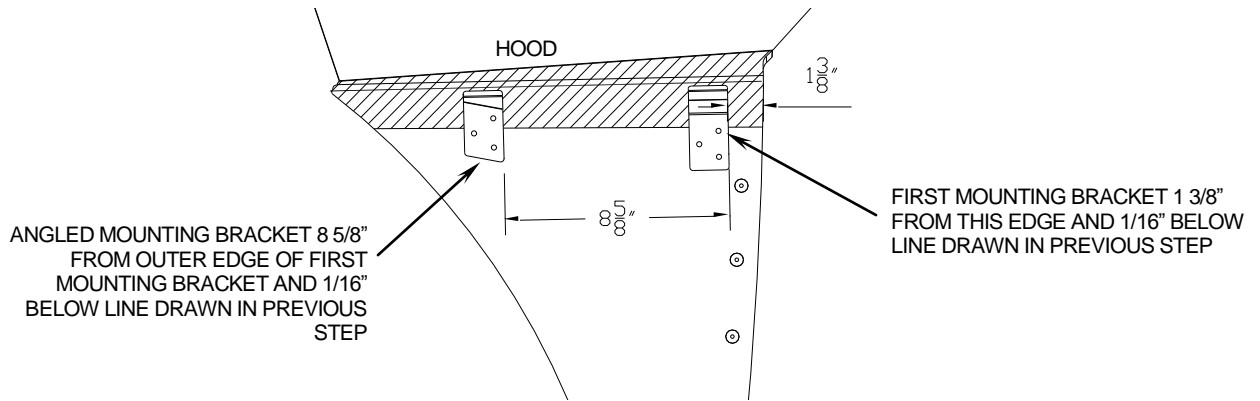
1. Using 2" masking tape, cover the offset bend in the lower hood as shown.



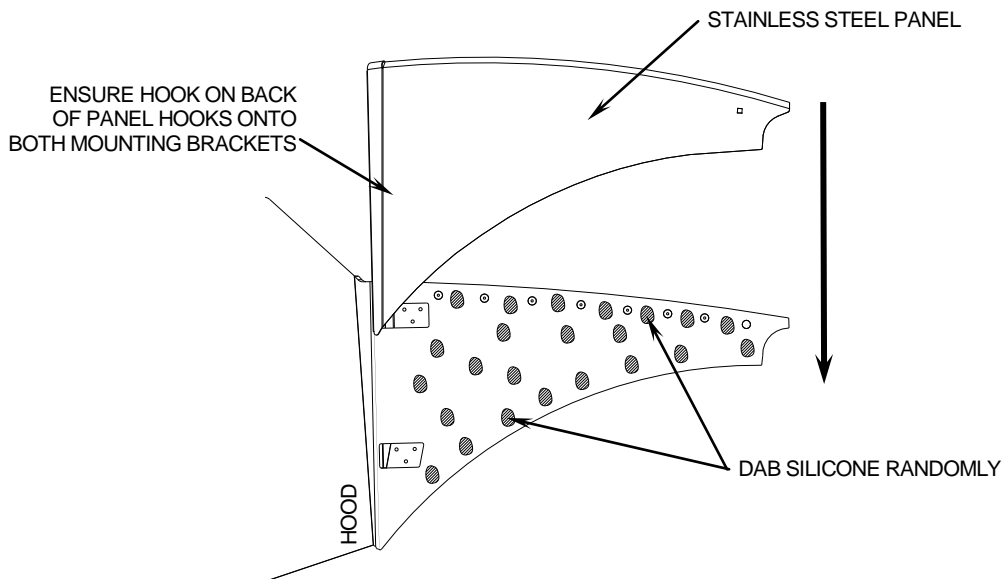
2. Drill out bottom rivet on lower hood as shown above.
3. Remove plastic coating from hem of panel and from around the bolt hole. Place stainless steel hood panel on the hood and mark a horizontal line along the top edge of the panel onto masking tape.



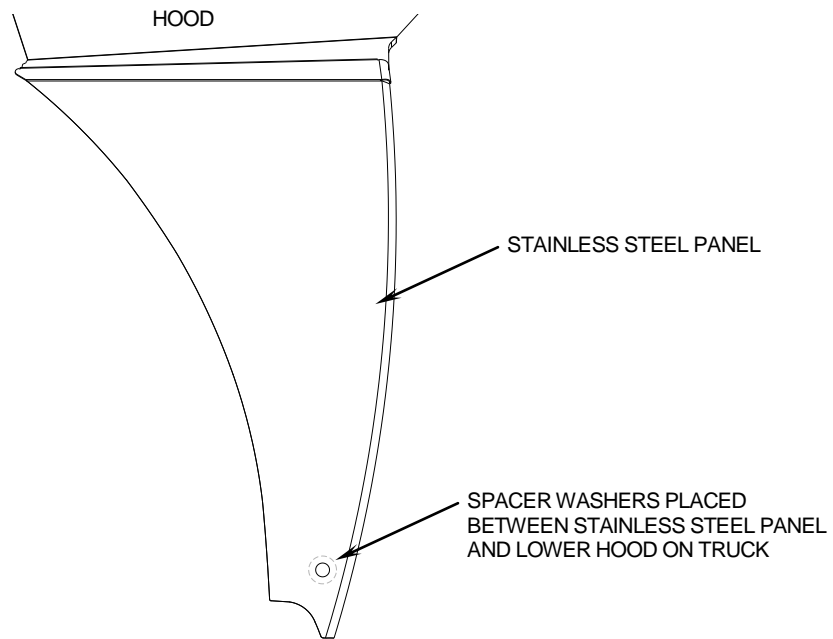
- Remove panel and place brackets over the offset bend of hood as shown, 1/16" below the horizontal line on the masking tape. Mark and drill 6, #11 holes into the hood. Remove masking tape and fasten the bracket using the pop rivets supplied.



- Dab silicone over each body rivet and randomly over the lower hood where panel will be installed. (re: potential rattles)
- Open hood all the way and carefully slide the new panel from the top, down over both brackets. Ensure that the hook at the top of the panel catches on the top edge of the second bracket.
- It is recommended to use a little grease to ease the sliding of the panel.



8. Close the hood and slide spacer washer between hood and panel. Install 1/4-20 carriage bolt through hole and secure using 1/4 flat washer and 1/4-20 lock nut supplied.



9. Carefully peel plastic from panel and clean with glass cleaner if necessary.