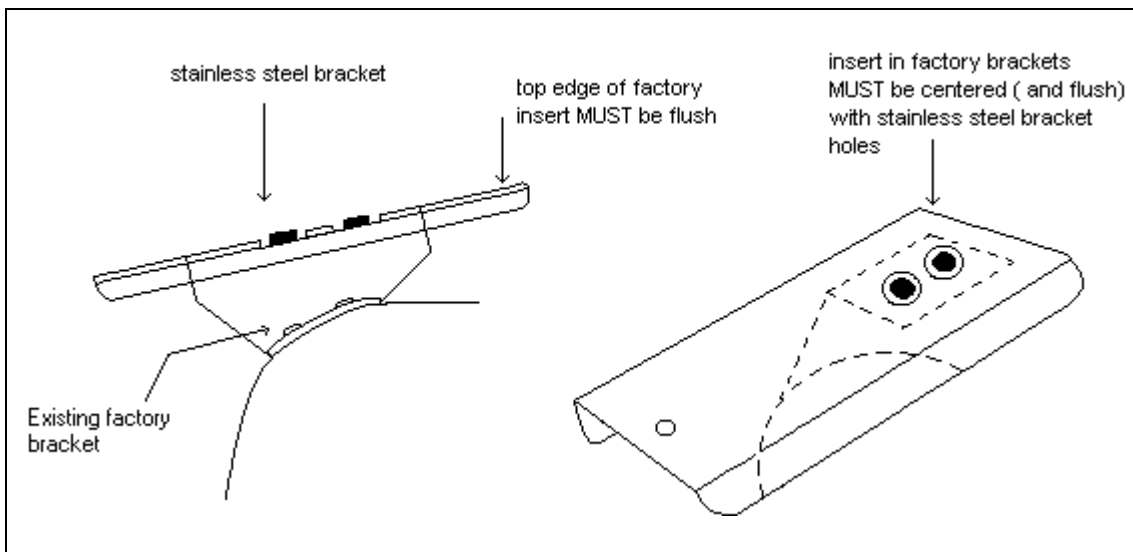


## STAINLESS STEEL ACCESSORIES

### W-900 AEROCAB EXTENDED SUNVISOR

#### INSTALLATION INSTRUCTIONS

1. Leave all bolts semi-loose until the last step.
2. **DO NOT REMOVE** plastic coating until the last step, to prevent scratches.
3. Remove factory stainless steel sunvisor saving the bolts for installation of new sunvisor.
4. Attach new brackets to new Sunvisor halves, making sure the small round holes are mated to one another. Use  $\frac{1}{4}$ " x  $\frac{1}{2}$ " bolts, flat washers and locknuts supplied, leaving them snug (not tight) for further alignment.
5. Place Sunvisor halves on existing factory brackets, using factory bolts to loosely hold Sunvisor in place. Make sure the new Stainless Steel brackets sit flush on the face of the existing factory brackets. (see diagram below)



6. Place the bolts in ends of Sunvisor. Once all the bolts are loosely in place, tighten them from the center brackets first out to the end brackets last.
7. Once all the bolts have been tightened, remove protective plastic coating.