

Installation Procedure:

1. Take a hood vent out.
2. Remove OEM plastic grille.
Note: Be careful not to break spring clip taps while removing clips.
3. Peel plastic from along edges to avoid pinching (Fig. 1).
4. Insert a screen into the vent frame, ensuring five slot openings of the screen are located center of each spring clip tap (Fig. 2).

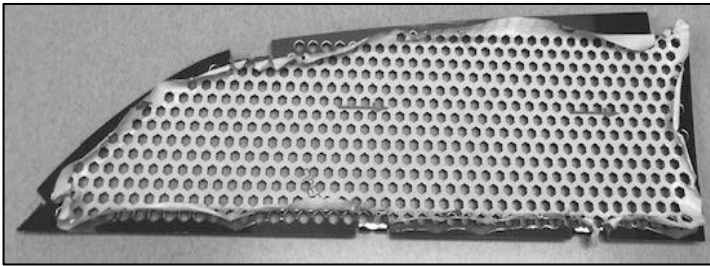


Fig. 1

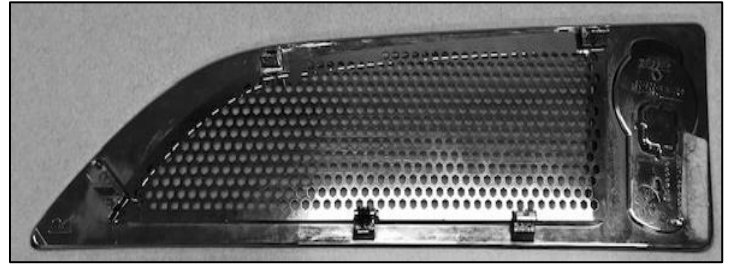


Fig. 2

5. Mark the locations of holes
6. Drill 1/8" pilot holes using supplied 1/8 HSS drill bit and install the screen with supplied #6 screws.

APPLY LOCTITE THREAD LOCKER TO THE SCREWS
(Fig. 3)

7. Peel all plastic out and wipe with glass cleaner and soft cloth if necessary.
8. Install the hood vent back.
9. Repeat the other side.

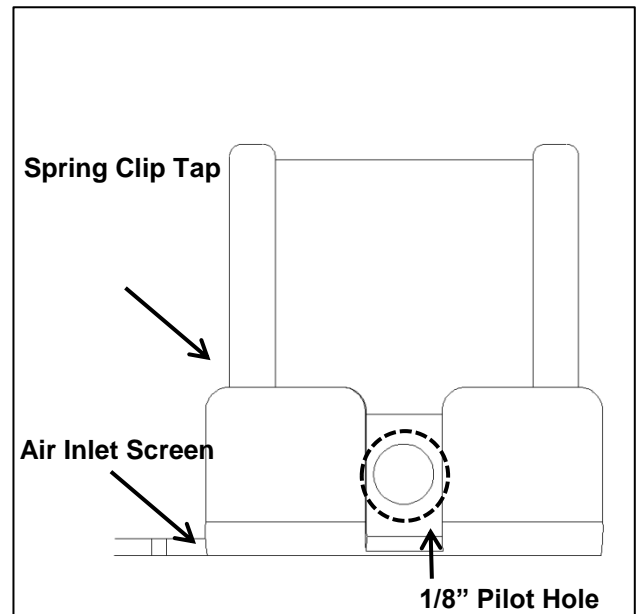


Fig. 3