



Phone: 519 -884-8555
Toll Free: 1-877-884-8555

TOW HOLE COVER VOLVO VNX

INSTALLATION INSTRUCTIONS

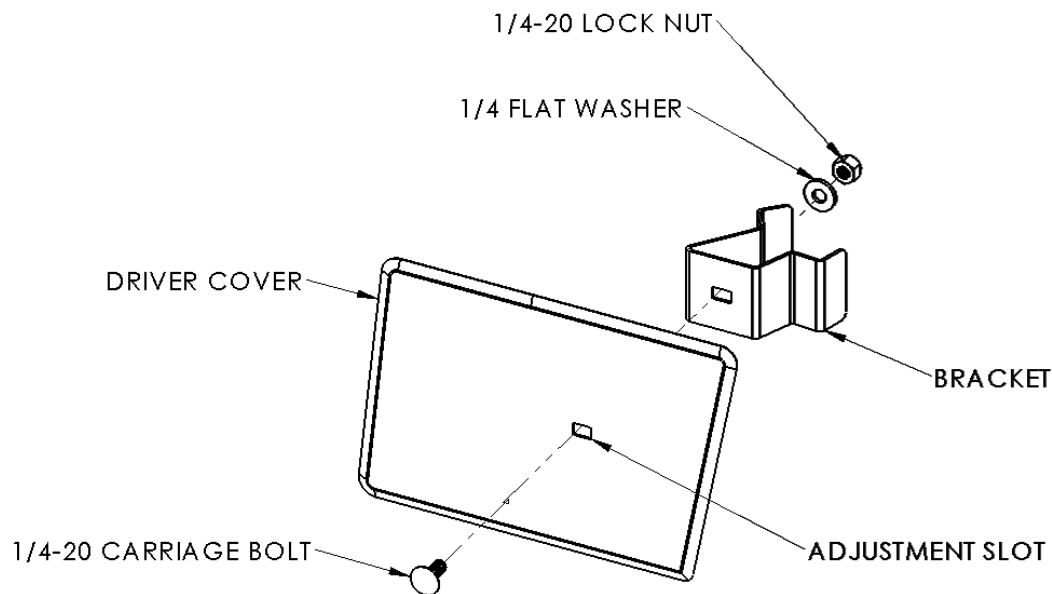
1. Install Tow-Hole Cover in Tow-Holes of bumper.

Make sure to use driver cover on driver side, and passenger cover on passenger side.

2. If the position is not fully covering the tow-hole, remove cover and adjust accordingly.

- a. By loosening the nut on back of Cover with a 7/16" wrench, the Cover can be adjusted horizontally.

Adjust as required and re-tighten nut. Re-install in truck and verify position. Repeat as necessary.



3. Peel all remaining plastic, and clean with glass cleaner as necessary