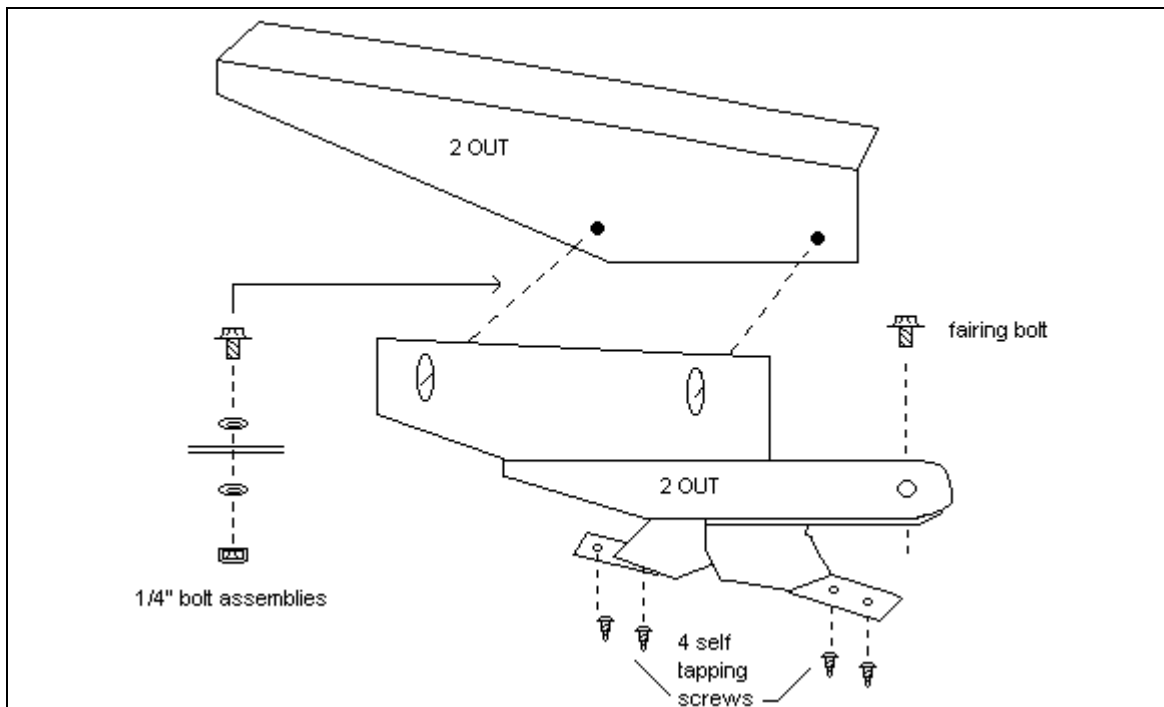


Stainless Steel Accessories

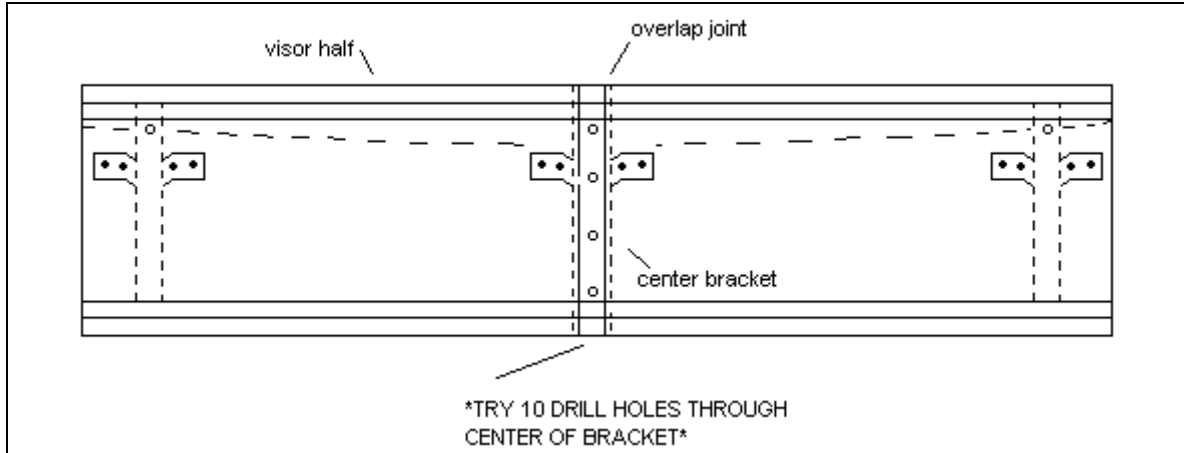
CH/CL Mack SUNVISOR WITH ROOF FAIRING

INSTALLATION INSTRUCTIONS

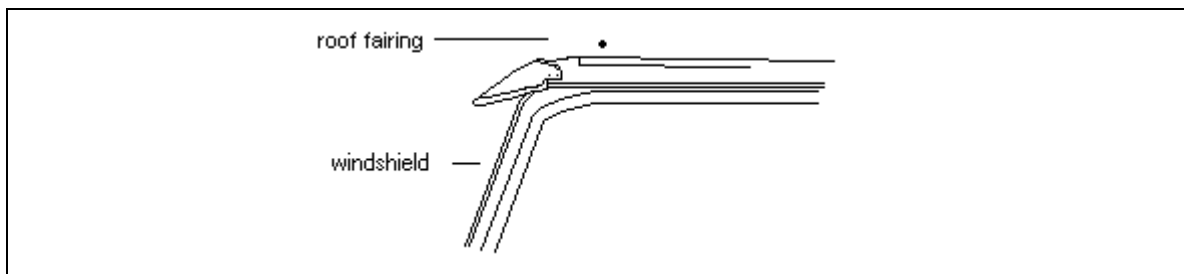
1. Remove plastic coating around all bolt holes.
2. Mark holes for each bracket as shown.



3. Remove five roof fairing bolts located above the windshield.
4. Assemble brackets according to their number (i.e. "3 IN", "2 OUT"), as shown in the diagram above. Lightly snug up the 1/4" bolts so the brackets are still moveable.
5. Fill roof bolt holes with silicone, install brackets as shown according to their placement number. Drill a 1/8" hole through the four bracket holes into roof. Fill holes with a generous amount of silicone, and tighten brackets with #10 x 3/4" self-tapping screws supplied.
6. Holding both the visor halves on the brackets, mark center bracket through the holes on the visor. Try to position the holes on the center of the bracket as shown in the diagram below. Drill 3/16" holes through the bracket.



7. Using #10-32 Phillips head screws, snug up the visor halves to the center bracket.
8. Align the ends of the visors with the appropriate area on side of roof. Drill silicone holes, and fasten with #10 x 3/4" self-tapping screws, see diagram below.



9. Mark, and drill through visor and brackets. Attach visor to brackets using #10-32 Phillips head screws.
10. Adjust visor into desired position and tighten the 1/4" bracket bolts.
11. Remove remaining plastic coating from visor, make sure all hardware is tight.