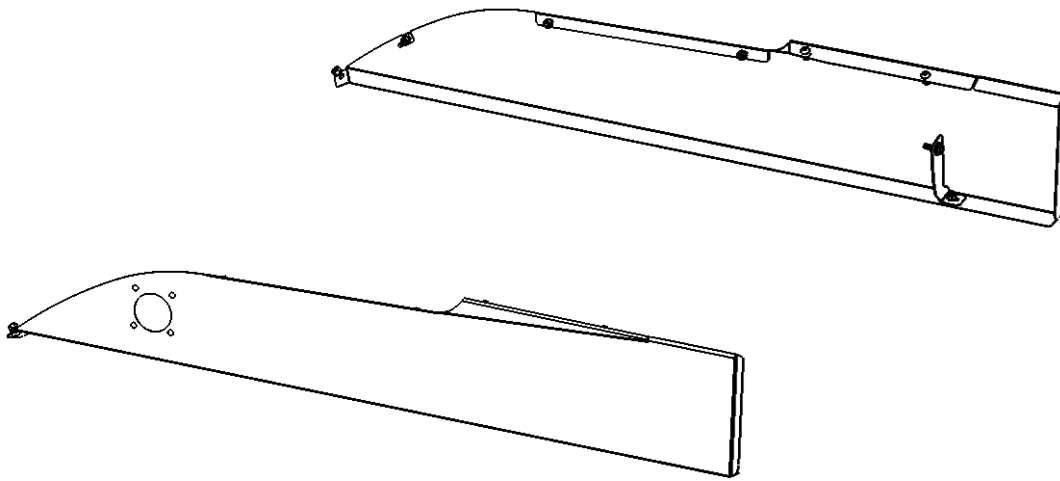




Phone: 519 -884-8555
Toll Free: 1-877-884-8555

SKIRT KIT INTERNATIONAL LT DAYCAB

INSTALLATION INSTRUCTIONS



1. Prepare panels by scoring the edges and peeling all plastic except from the main faces
2. Mark drill holes for Cab skirts using provided template
 - a. Remove marker light and block heater
 - b. Cutout template, including holes. Cut and bend tab as indicated on template (for passenger side).
 - c. Align template
 - i. Align marker light holes (and block heater holes on the driver side)
 - ii. Align top edge of template to top edge of original plastic Cab skirt (with consistent offset)
 - iii. Align back edge of paper template to edge of original plastic Cab skirt
 - d. Mark (2) 1/4" holes for both driver & passenger sides, as well as the (3rd) lower hole for the passenger side.
3. Drill holes marked in step 2
4. Position Cab Skirts in place *be cautions to not pinch/damage the lights & harnesses (for underlit version)*

5. Temporarily unmount rear portion of the *factory* Cab Skirts to provide access behind (see figures 1-4).
 - a. Remove the two T27 screws from rear portion of each Cab Skirt (access through the opening where Transition Panel has been removed from). Retain (1) screw from each side for reassembly.



Figure 1

- b. Flex the molded Cab Skirt bracket towards front of truck to disengage it from locking tab on truck bracket.

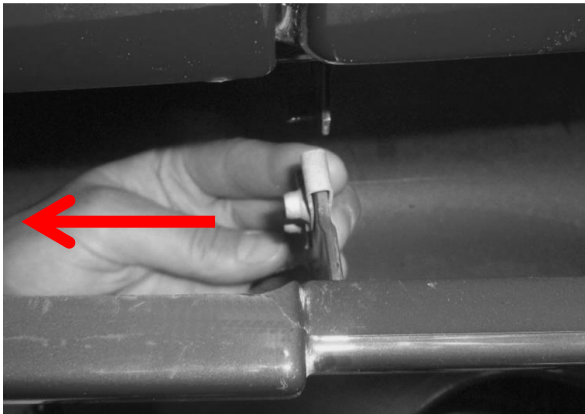


Figure 2

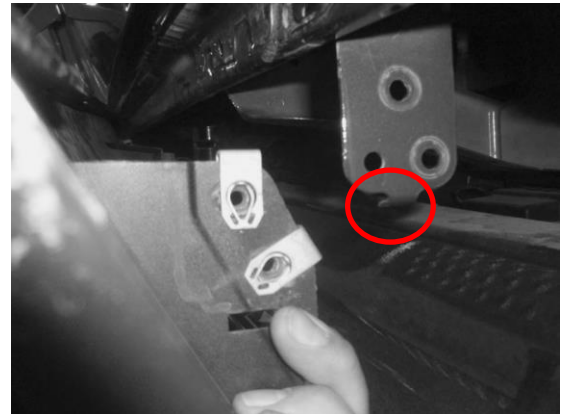


Figure 3

- c. Pull Cab skirt outward to unhook the spring clips located at mid length of Cab Skirt



Figure 4

6. Mark and drill the remaining 3 screw holes in Cab Panels
 - a. Mark the lower front Cab Skirt mounting hole, and drill 1/4" hole.
 - b. Drill holes for the remaining 2 screws at the top edge of each Cab Panel.
7. Secure Cab Panels to truck
 - a. Install 10-32 washers and locknuts onto the mounting studs (max tightening torque = 23in-lb)
 - b. Insert (3) 10-32 bolts into drilled holes, and secure with (3) flat washer and (3) locknuts
8. Reattach the OE cab panel bolts & tab that were removed in step 5, and install Brackets
 - a. Position Driver Bracket in place behind the driver panel and secure to truck with supplied M6x20mm hex head bolt (see figure 5).
 - b. Fasten Bracket to Panel using a 10-32 bolt with (1) flat washer and (1) locknut. Repeat for other side.

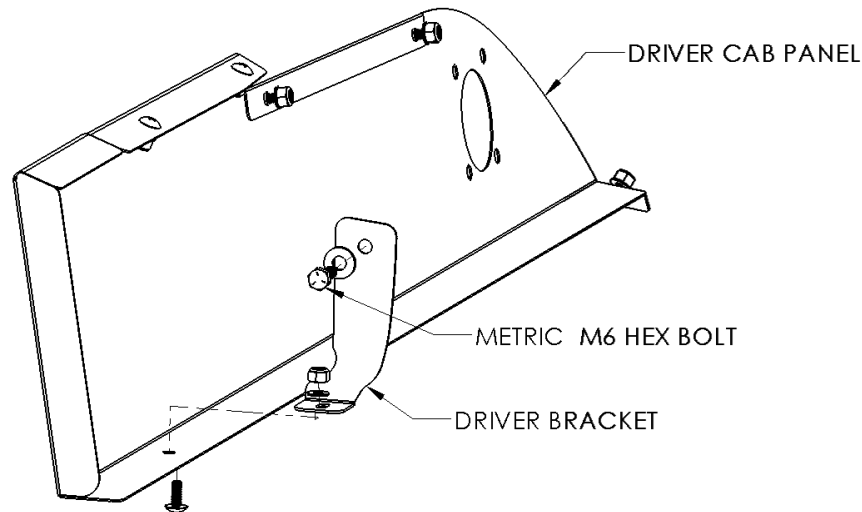


Figure 5

9. For X2 lighted panels:
 - a. Once panel is mounted, use a 1 1/8" hole saw to cut the center of light holes out of the OE plastic panel, and drill the light screw holes with 9/64" drill bit.
 - b. Install X2 lights with provided #8 screws
 - c. Wire lights behind panels and secure wire harnesses with zip ties
10. Peel all remaining plastic, and clean with glass cleaner as necessary.