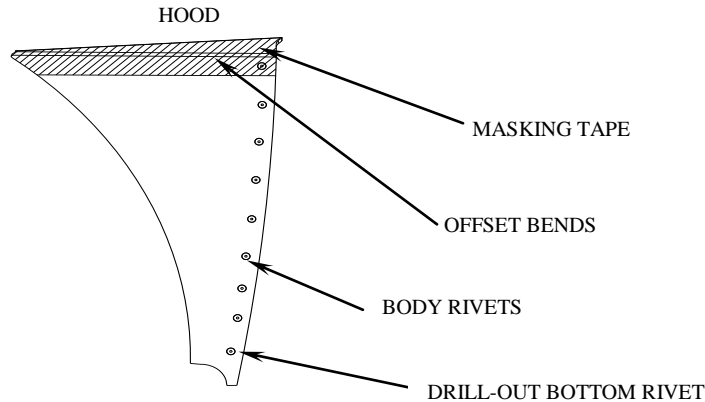


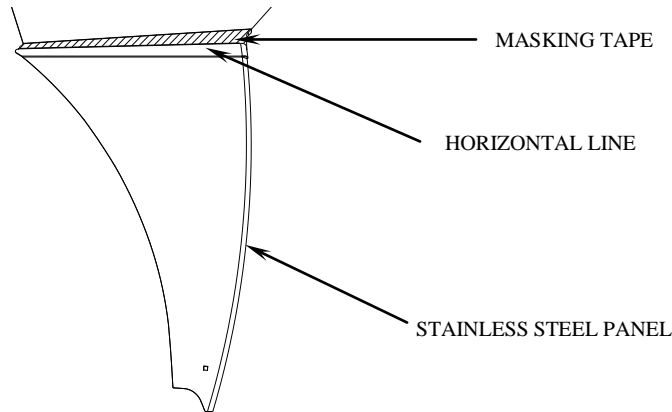
Install Instructions

Lower Hood Panels:

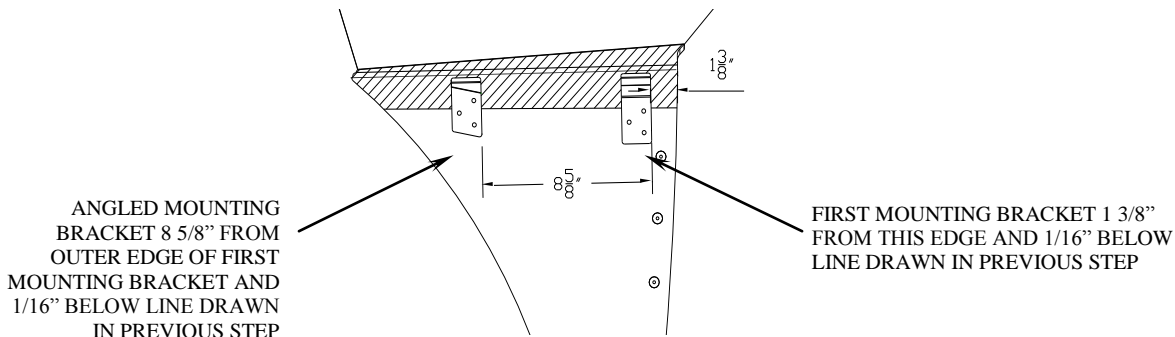
- Using wide masking tape, cover the offset bend in the lower hood as shown.



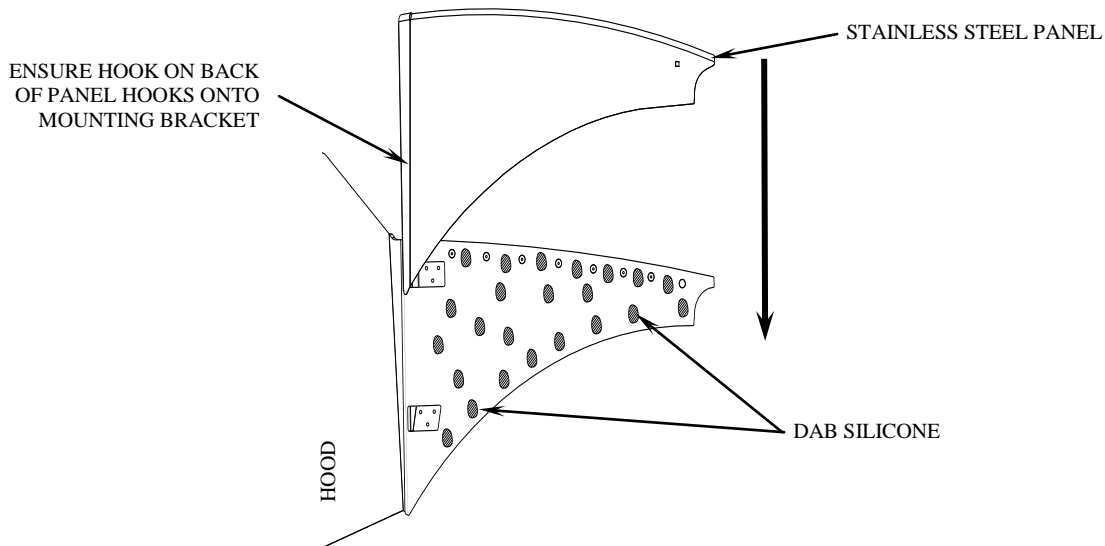
- Drill out bottom rivet on lower hood as shown above.
- Remove the protective plastic coating from the hem of the panel and from around the bolt holes. Place the stainless steel hood panel on the hood and mark a horizontal line across the top edge of the panel onto the masking tape.



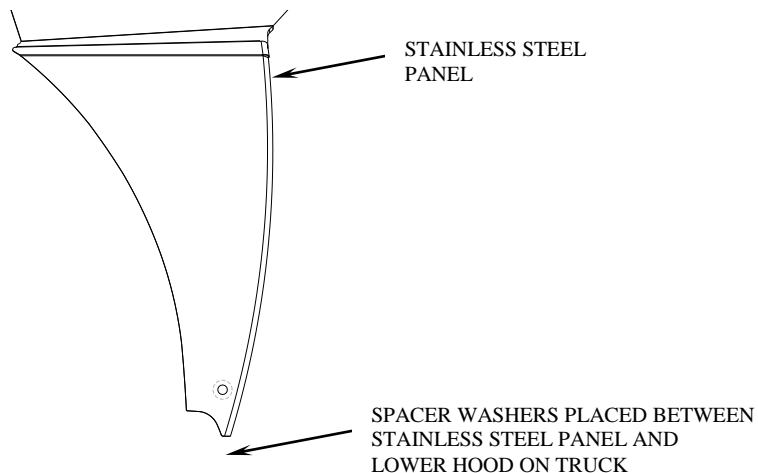
- Remove panel and place brackets over the offset bend of hood as shown, 1/16" below the horizontal line on the masking tape. Mark and drill 6, #11 holes into the hood. Remove masking tape and fasten the bracket using the pop rivets supplied.



5. Dab silicone over each body rivet and randomly over the lower hood where the panel will be installed to prevent potential rattles.
6. Open the hood all the way and carefully slide the new panel from the top, down over the bracket. Ensure that the hook at the top of the panel catches on the top edge of the bracket.
7. It is recommended to use a little grease to ease the sliding of the panel.



8. Close the hood and slide spacer washer between hood and panel. Install 1/4-20 carriage bolt through hole and secure using 1/4 flat washer and 1/4-20 lock nut supplied.





3D CAB/LOWER HOOD & HOOD EXTENSION PETERBILT

Panelite, Inc. · 275 Industrial Road · Cambridge, ON N3H 4R7 · Phone: 519-884-8555 · Toll Free: 1-800-331-7952 · FAX 519-884-8553 · website: www.panelite.com

Hood Extension Panels:

1. Remove the stock hood extension panels and lower brackets.
2. Attach the provided lower brackets to the hood guide using the provided 1/4-20x1" & 3/4" hex head cap screws, washers and locknuts. Install the bolts with the bolt head to the inside of the guide. Do not tighten, as some adjustment will be required.
3. Hold the hood extension panel up to the cab, matching the front edge to the bend in the cab. Using a pen, transfer the mounting holes to the underside of the cab.
4. Drill out each hole using a 13/64" drill bit.
5. Attach the hood extension panel to the truck using the supplied #14x3/4 hex washer screws. Attach the bottom flange to the previously installed bracket using the supplied 1/4-20x3/4" hex head cap screws, washers and locknuts.
6. Tighten all hardware.

Cab Panels:

1. Temporarily attach the cab panel to the hood extension panel using the supplied 1/4-20x3/4" hex head cap screws, washers and nuts, making sure the top edge meets the edge of the cab.
2. Hold the cab panel in position and mark out all mounting holes to the bottom of the cab.
3. Set the cab panel aside and drill out each marked location with a 13/64" drill bit.
4. Attach the cab panel back to the hood extension panel and install the supplied #14x3/4 hex washer screws.

Peel protective plastic from all components and clean with glass cleaner, if necessary.