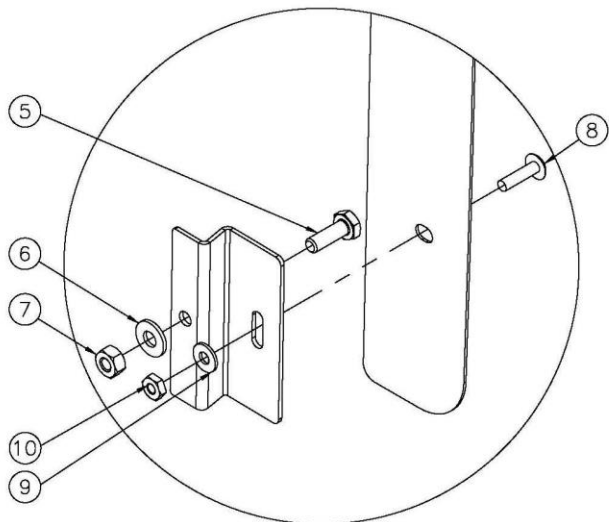


## Stainless Steel Accessories

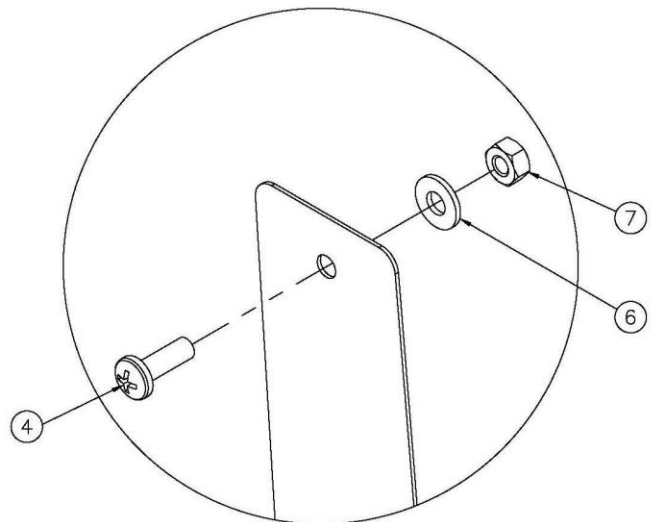
### 2006 VN-880 SERIES BUNK EXTENDER LOWER

#### INSTALLATION INSTRUCTIONS

1. Peel back protective plastic coating around mounting holes.
2. Line back corner of bunk with masking tape to prevent scratching while locating mounting positions
3. At the bottom of the bunk measure 3-3/4" up from the bottom of the rain gutter and mark the channel of the gutter with masking tape.
4. Tape the 14ga "Z" bracket with the single hole in the gutter centered on the 3-3/4" mark.
5. Hold the lower bunk extender along the corner of the cab to confirm alignment.
6. Double check the alignment of the bracket and alignment of the lower to the corner of the tool box door, then remove the bunk extender.
7. Mark the other 5 holes 11" from center to center above that hole using a bracket for the alignment within the gutter.
8. Drill the 6 marked holes with a 9/32" drill bit. Then remove the masking tape.
9. Mount the "Z" brackets in the gutter using the 1/4-20 bolts/washers/nuts, and tighten.
10. Hang the lower extender from the top Z bracket using the 10-32 bolt/nut and mark the top hole location on the upper bunk extender.
11. Drill the marked spot in the upper extender with a 1/4" drill bit. Suggestion: remove the upper from the truck and drill on a solid surface after using a punch and drilling a pilot hole.
12. Hang the lower extender from the top extender using the 1/4-20 bolt and mount the lower extender to the mounting brackets with the 10-32 bolts/washers/nuts and tighten.
13. Remove the protective plastic film.



DETAIL A



DETAIL B

1	Bunk Extender Driver (1)	6	1/4" Washer (14)
2	Bunk Extender Passenger (1)	7	1/4" Locknut (14)

3	Bracket (12)	8	10-32 Truss Head Screw (12)
4	¼-20 Truss Head Screw (2)	9	#10 Washer (12)
5	¼-20 Hex Head Screw (12)	10	10-32 Locknut (12)

