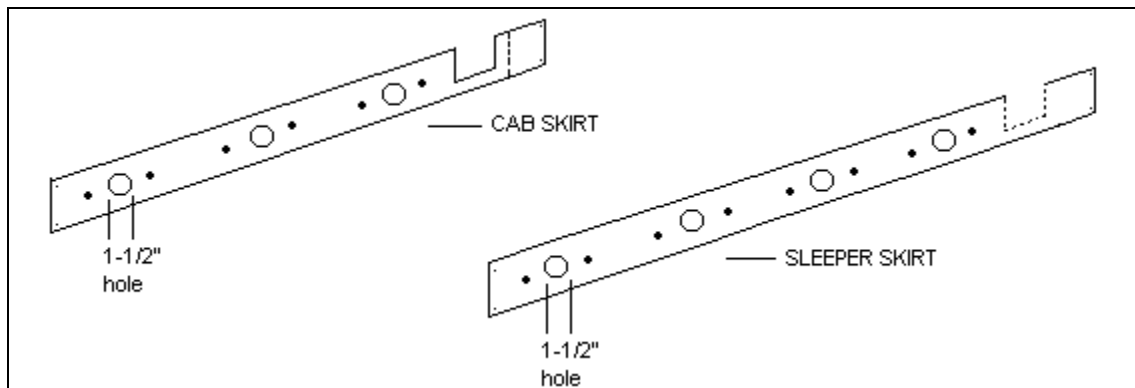


Stainless Steel Accessories

2003 VNL SERIES CAB AND SLEEPER SKIRT

INSTALLATION INSTRUCTIONS

1. It is advisable to remove the entire “fold out” access panel for easier accessibility when installing cab skirts.



2. Align panel(s) on the cab panel in a desired position.
3. Clamp stainless cab panel to fairing in such a manner as not to damage stainless steel.
4. Mark all light holes (if necessary) directly onto fairing using a magic marker.
5. Remove panel.
6. Drill light holes on cab panel with 1-1/2" hole saw.
7. After light holes are drilled, clean surface of cab panel thoroughly with rubbing alcohol.
8. Remove two sided tape covering, line up stainless skirt with cab panel, and install.
9. Drill 1/8" holes through screw holes into cab panel, and use the supplied screws to attach all lights and end holes in panel.
10. Install lights and harnesses to stainless skirt, and attach wire harness to back of cab panel using wire clips or duct tape.
11. Now the harness must be run down the underside of cab.
12. The extension harness should be run through the firewall and connected to an accessory switch.
13. When the connection is made, secure the harness, and ensure all lights are functioning.
14. Remove protective plastic coating.