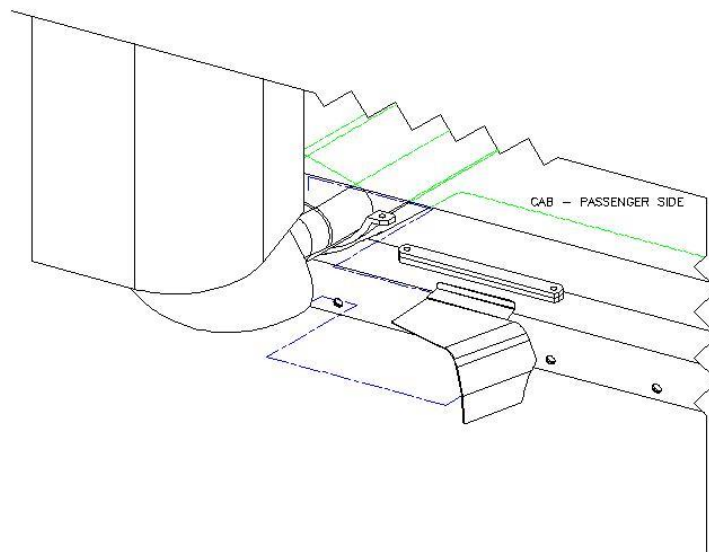


STAINLESS STEEL ACCESSORIES

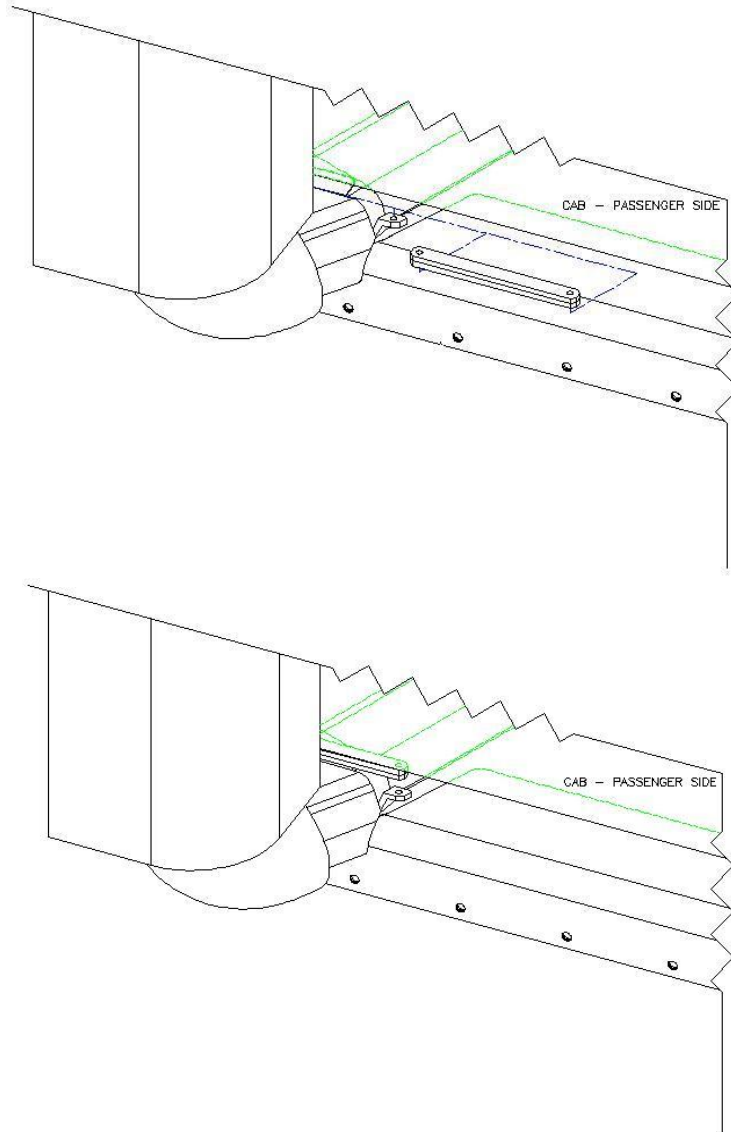
EXHAUST COVER PLATE, PASSENGER SIDE, 388, 2011

INSTALLATION INSTRUCTIONS

1. Remove the factory bolts, washers, and nuts from the passenger exhaust clamps and set aside for reuse.
2. Remove the two top clamping strips and set aside for reuse.
3. Peel away plastic coating from the stainless steel exhaust cover.
4. Place stainless cover onto the exhaust pipe as shown in illustration. (Make sure the cover sleeve is tucked into the exhaust pipe elbow cover).



5. Place the two clamping strips on top of the exhaust cover. Make sure the back flange sits against the sides of the clamping strips.



6. Replace factory hardware taken off from the exhaust clamps and hand tighten bolts until snug.
7. Make any necessary adjustments to the exhaust cover. Make sure the edge of the cover that sits inside the exhaust elbow are not touching. (Test by tapping on the exhaust cover. Make sure there are no sounds of metal rattling against each other).
8. Tighten hardware with required wrenches.
9. Polish with glass cleaner and soft cloth if necessary.