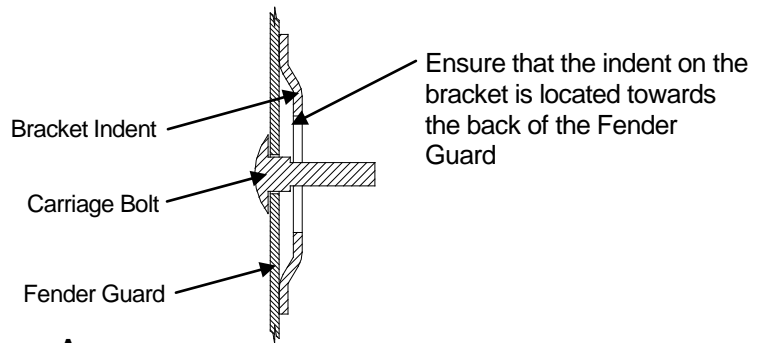
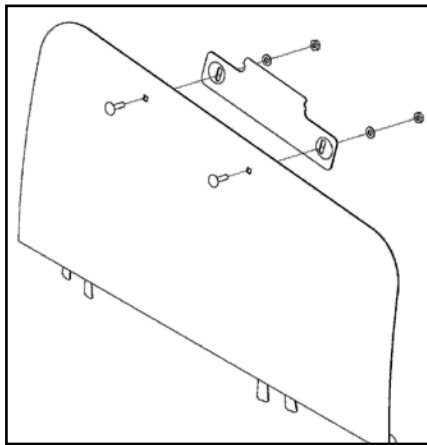


# Stainless Steel Accessories

## FENDER GUARD with Brackets

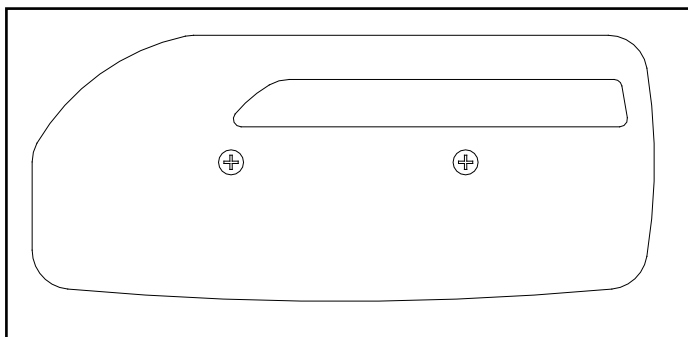
### INSTALLATION INSTRUCTIONS

1. Remove plastic from around bolt holes.
2. Remove two bolts from back of headlight and remove carefully, remembering to disconnect the electrical plug.
3. Loosen bolts (do not remove) securing the fender bracket to the truck to allow the fender guard to slip between. Slip Fender Guard between the fender support bracket and fender, locating the forks on the two outside bolts of the fender bracket.
4. Loosely fasten Fender Guard bracket (Fig A) to Fender Guard using the supplied carriage bolts, washers and lock nuts. Ensure the indent on the bracket is located towards the back of the Fender Guard (Fig A) to allow room for the neck of the carriage bolt.
5. Replace the back of the headlight, reconnecting the electrical plug and tightening the bolts.
6. Tighten fender all fasteners.
7. Peel plastic and clean Fender Guard with glass cleaner if necessary.



**Figure A**  
Exploded assembly view of Fender Guard, Bracket and hardware.

Note: Passenger side shown.



Back of Headlight showing two bolts that need to be removed. Remember to disconnect the electrical plug inside housing.

Note: Passenger side shown.