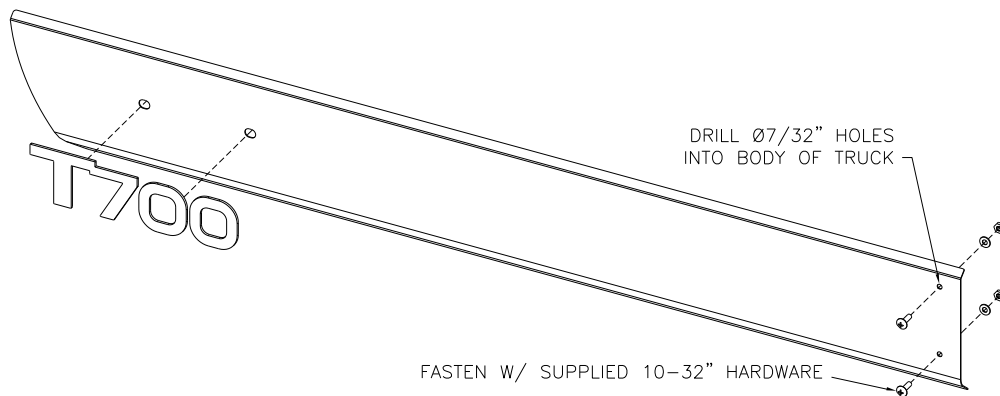


STAINLESS STEEL ACCESSORIES

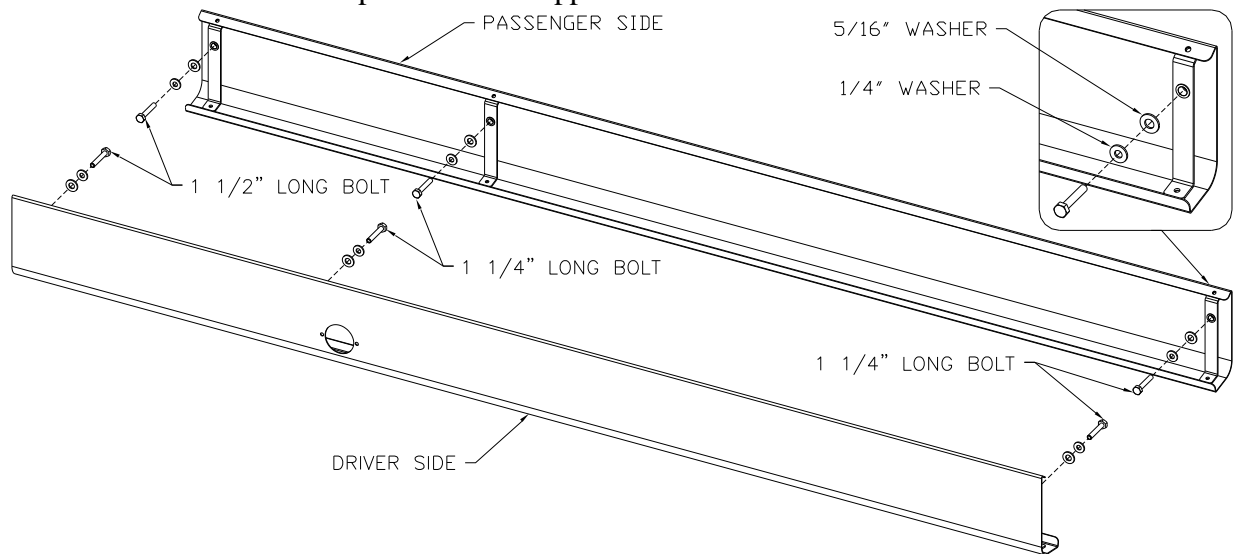
KENWORTH T700, 2011 SKIRTING KIT

INSTALLATION INSTRUCTIONS

1. Remove T700 logo by unfastening hardware from behind and ungluing 2 sided tape.
2. Align cab skirt and drill $\text{\O}7/32$ " holes through truck body as shown.
3. Insert logo into stainless cab skirts and reattach to truck with hardware from step 1.
4. Fasten stainless cab skirt with supplied 10-32" hardware as shown.



5. Remove factory sleeper panel.
6. Install stainless steel sleeper skirt with supplied hardware as shown.



7. Install extender skirt with two sided tape (taping instructions enclosed.)
8. Install hood latch guard with two sided tape (taping instructions enclosed.)

