

STAINLESS STEEL ACCESSORIES

T-300, T-600, T-800 AEROCAB EXTENDED SUNVISOR

INSTALLATION INSTRUCTIONS

- Removal of interior headliner and use of nuts and washers inside the roof is strongly recommended if using nut insert see step #2
- 1. Mark and drill 12 25/64" diameter holes into roof as per Fig#2.
- 2. Set nut inserts using supplied insert setting tool and nut-insert installation diagram.
Use generous amounts of silicone in and around nut insert.
- 3. Install brackets as shown in Fig#4. Do not completely tighten.
- 4. Fasten sunvisor halves to brackets and roof. Do not completely tighten.
- 5. Align sunvisor halves and tighten center screws.
- 6. Tighten all remaining screws.
- 7. Peel off protective plastic coating.

Hardware List:

1 - insert setting tool
14- 1/4-20 locknuts
12- 1/4-20 x 3/4" bolts
14- 1/4" flat washers
2 - 1/4" tooth lock washer
12- 10-32x1/2" truss head screws
12- #10 flat washers
12-10-32 locknuts
1 - tube silicone
2 - 1/4" x 1/2" carriage bolts
13- nut inserts

Side View Of Cab

fig.#2

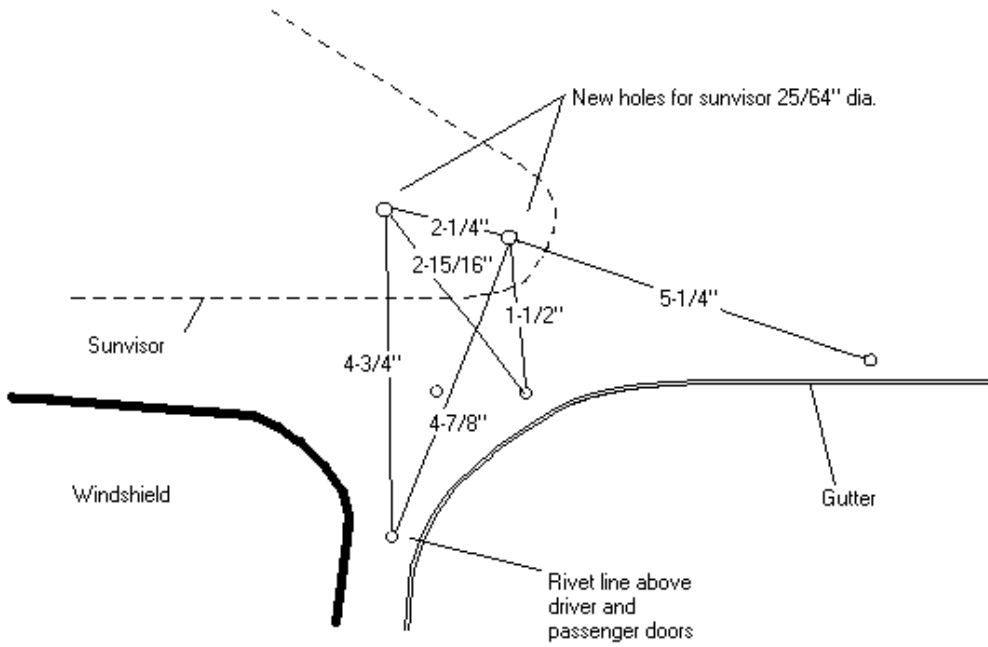
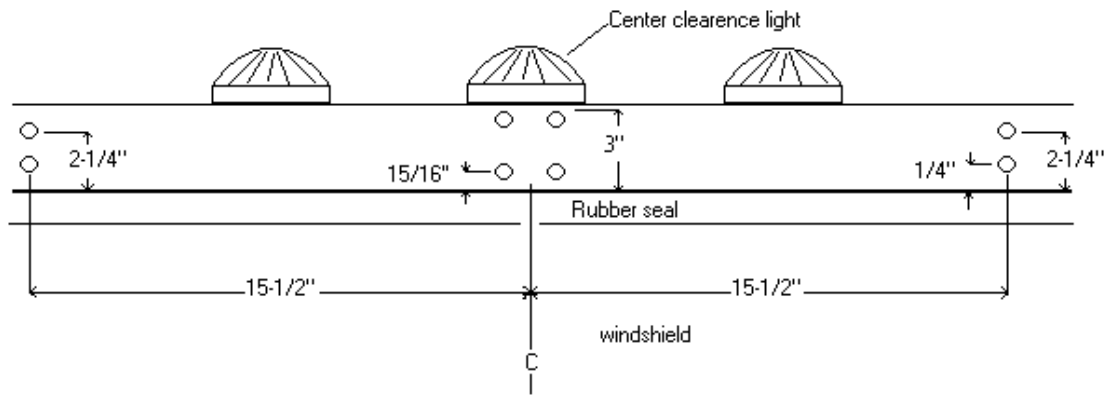


fig.#3



*** CENTER LINE OF CAB MUST BE ACCURATLEY DETERMINED!**

Center Bracket Assembly

fig.#4A

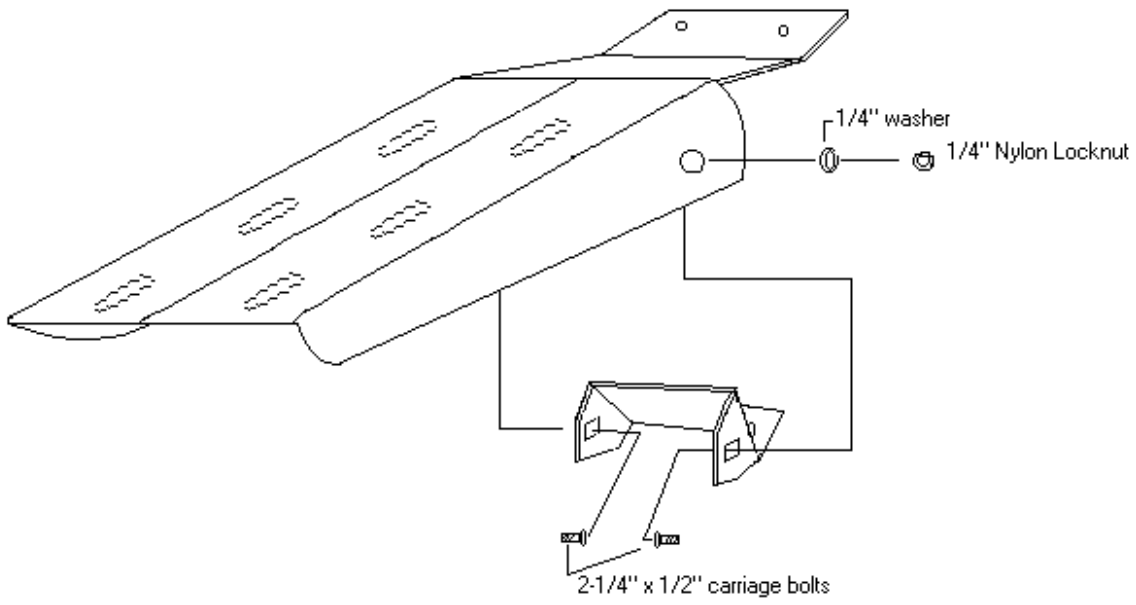
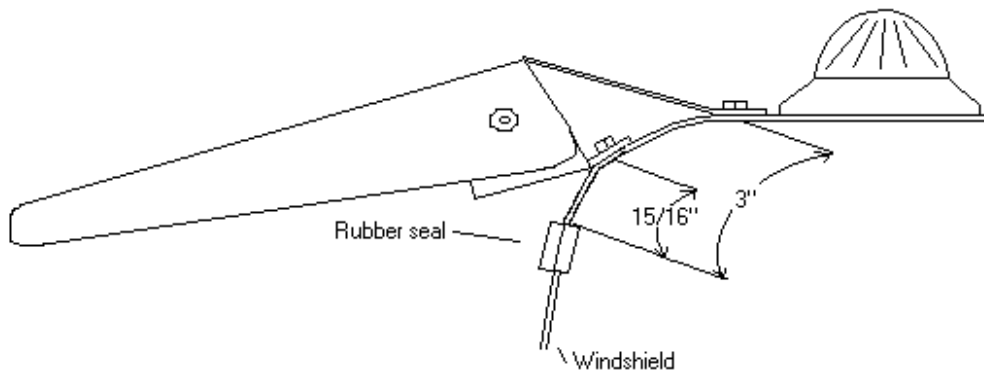


fig.#4B



Outer Bracket Assembly

fig.#4C

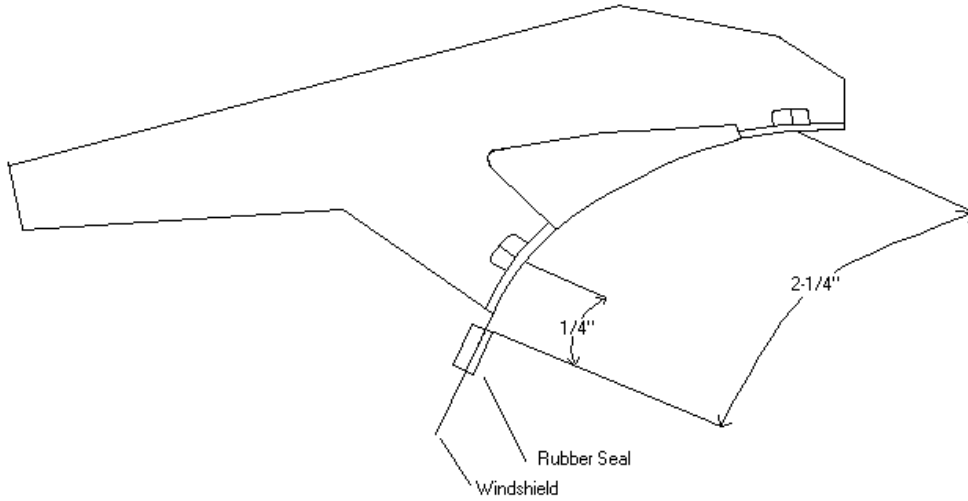


fig.#4D

