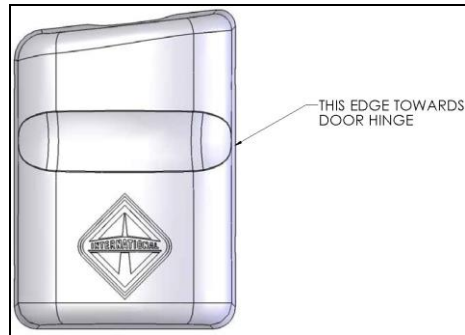


# STAINLESS STEEL ACCESSORIES

## 9200, 9400, 9900 SERIES MIRROR MOUNT COVERS

### INSTALLATION INSTRUCTIONS

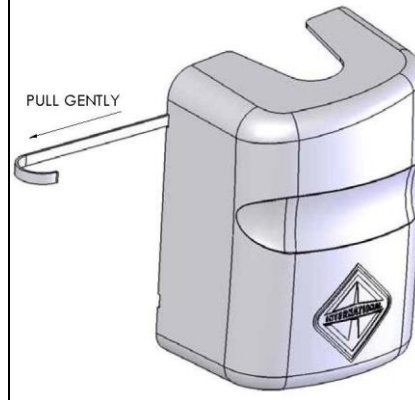
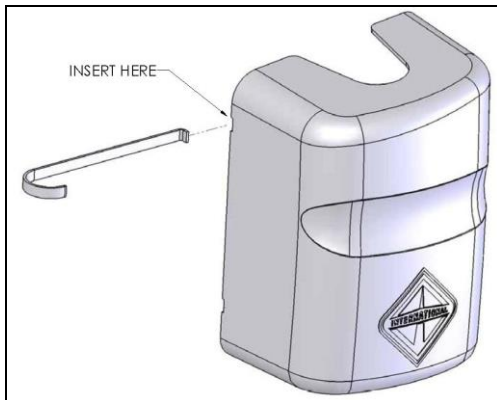
1 - Determine the appropriate cover to use on the side you are working on by ensuring the longer side of the cover faces the door hinge.



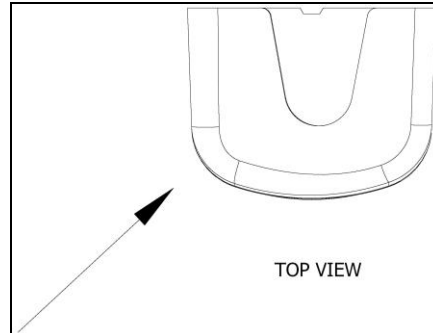
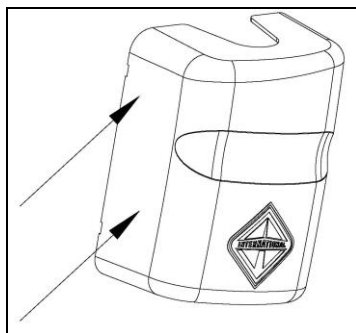
Passenger Side (driver side is mirror)

2 – Start by first hooking in the tabs on the short side of the cover, away from the door hinge.

3 – The use of a special tool may be necessary to help hook in the top tab. Insert tool into the top relief, and gently pull the cover away from the mount while applying slight pressure onto the cover with your other hand.



4 – Use the palm of your hand to strike the edge of the mirror arm cover in a diagonal/forward motion (*refer to diagrams below*) to hook in the tabs on the door hinge side.



5 – Duplicate procedure for the opposite side of the truck.