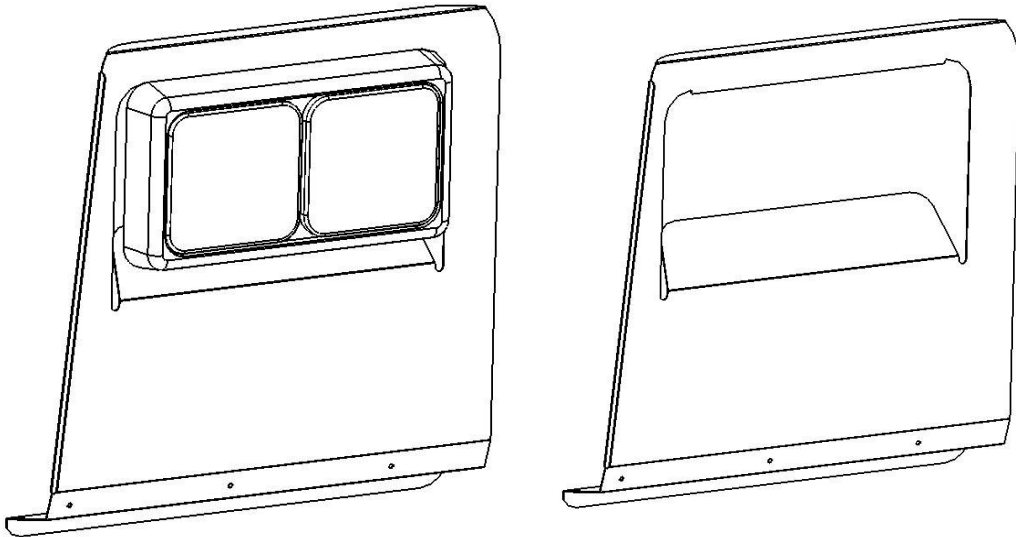


STAINLESS STEEL ACCESSORIES

CLASSIC HEADLIGHT FENDER GUARD AROUND HEADLIGHT

INSTALLATION INSTRUCTIONS

1. Remove plastic coating from around headlight opening on fender guard.
2. Remove chrome bezel from truck and fit fender guard into place. Install bezel cover over top of fender guard. Clamp the bezel tightly overtop the upper lip in the hole cutout on the fender guard, to hold the fender guard in place.



3. Drill 3/16" holes through the 3 holes in fender guard. Place 2 spacer washers in between the fender guard and fender on the 2 outside holes and none in the center.
4. Fasten the fender guards to the fender using the supplied #10-32 x 1" bolts, nuts and washers.
5. Peel off remaining plastic and clean with glass cleaner if necessary.