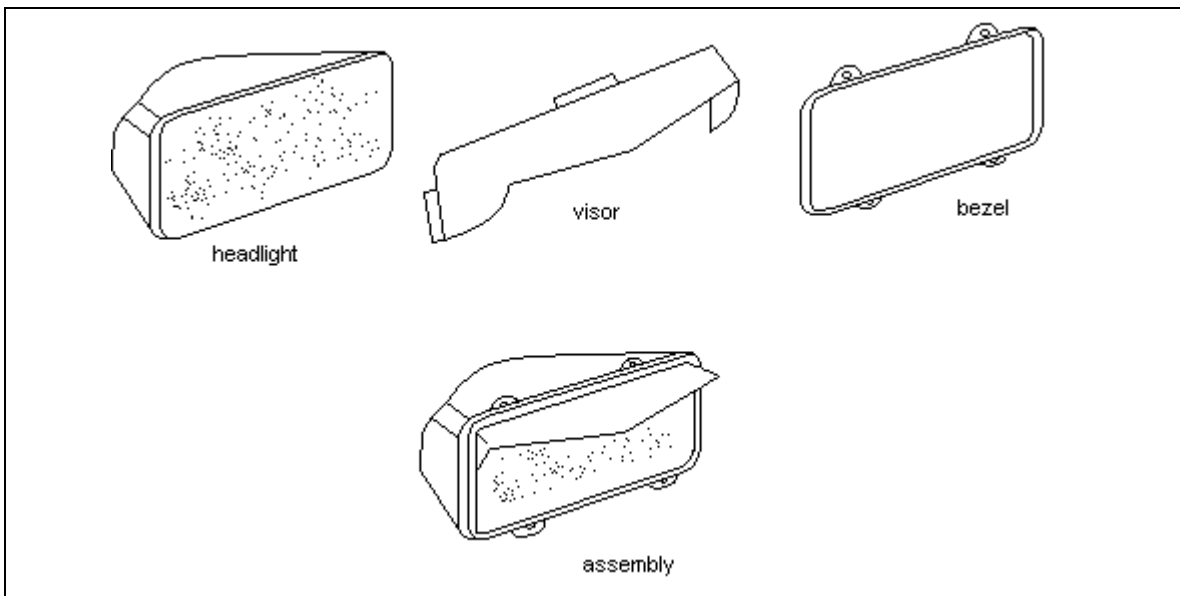


UNIVERSAL STAINLESS STEEL ACCESSORIES

SINGLE HEADLIGHT VISOR

INSTALLATION INSTRUCTIONS

1. Remove Plastic coating on the Visor.
2. Remove the chrome-plastic headlight bezel by taking out the six Phillips mounting screws.



3. Loosen the stainless steel retaining ring enough to facilitate the clamping of the visor tab between the headlight, and retaining ring. (see diagram above)
4. Once the Headlight Visor is in place, re-tighten the headlight retaining ring, replace the chrome-plastic bezel.