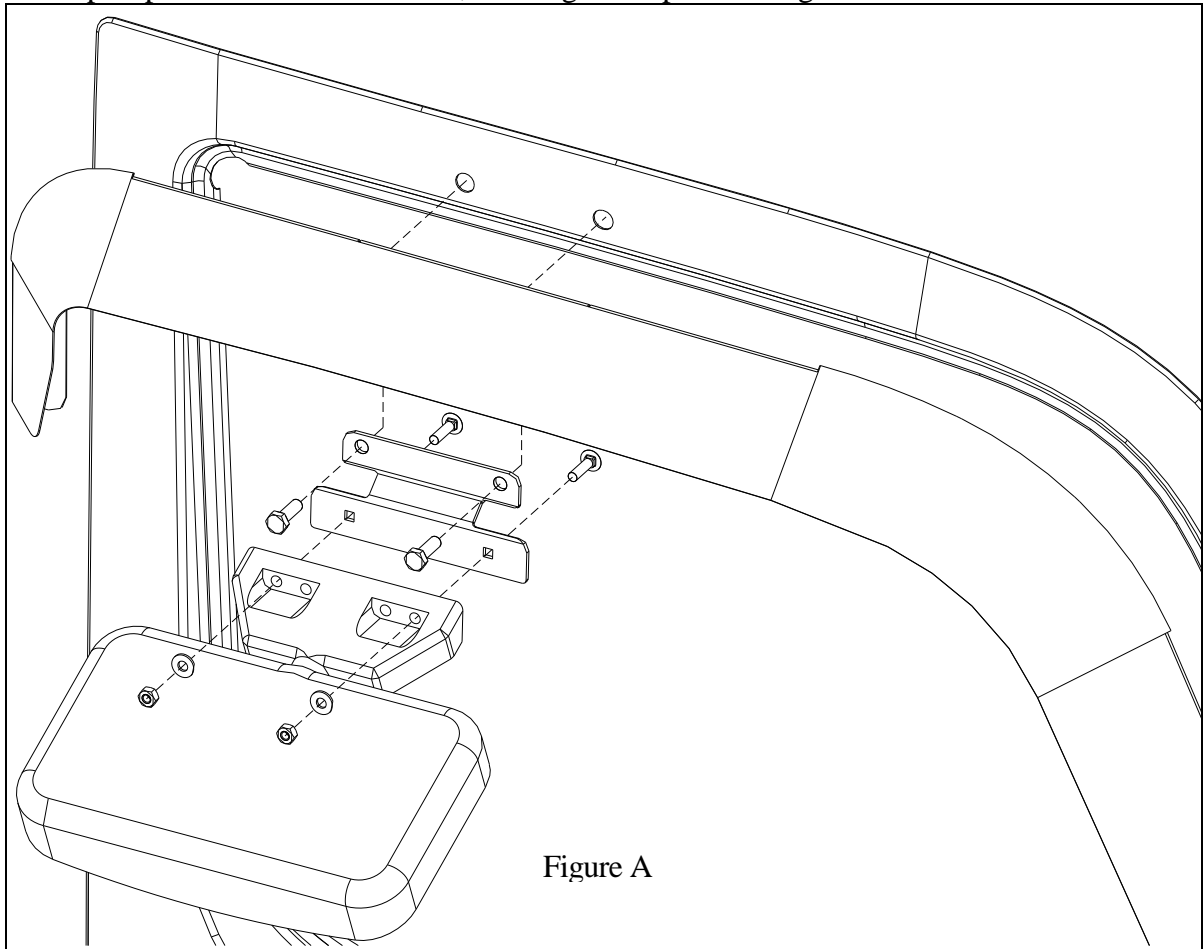


Stainless Steel Accessories

DOOR WINDOW SHADE, PB579, PB567, KWT680, KWT880

INSTALLATION INSTRUCTIONS

1. Remove the mirror from the passenger side door.
2. Attach the supplied bracket to the door (Fig A). Do not tighten fully, leave a gap of about 1/8" between the bracket and door.
3. Prepare the mounting surface of the door according to 3M tape instructions provided.
4. Peel back 3M tape from the edges of the shade about 1-2", do not remove all 3M tape.
5. Slide the window shade into the gap between the bracket and the door.
6. Remove the remainder of the 3M tape and attach the shade to the door ensuring that the shade conforms to the contour of the door (Fig B). Apply pressure for a sufficient period of time in order to maximize adhesion between the shade and door.
7. Fully tighten the supplied bracket to the door.
8. Attach the mirror to the supplied bracket (Fig A)
9. Repeat process for the driver side, omitting the steps involving the bracket and mirror.



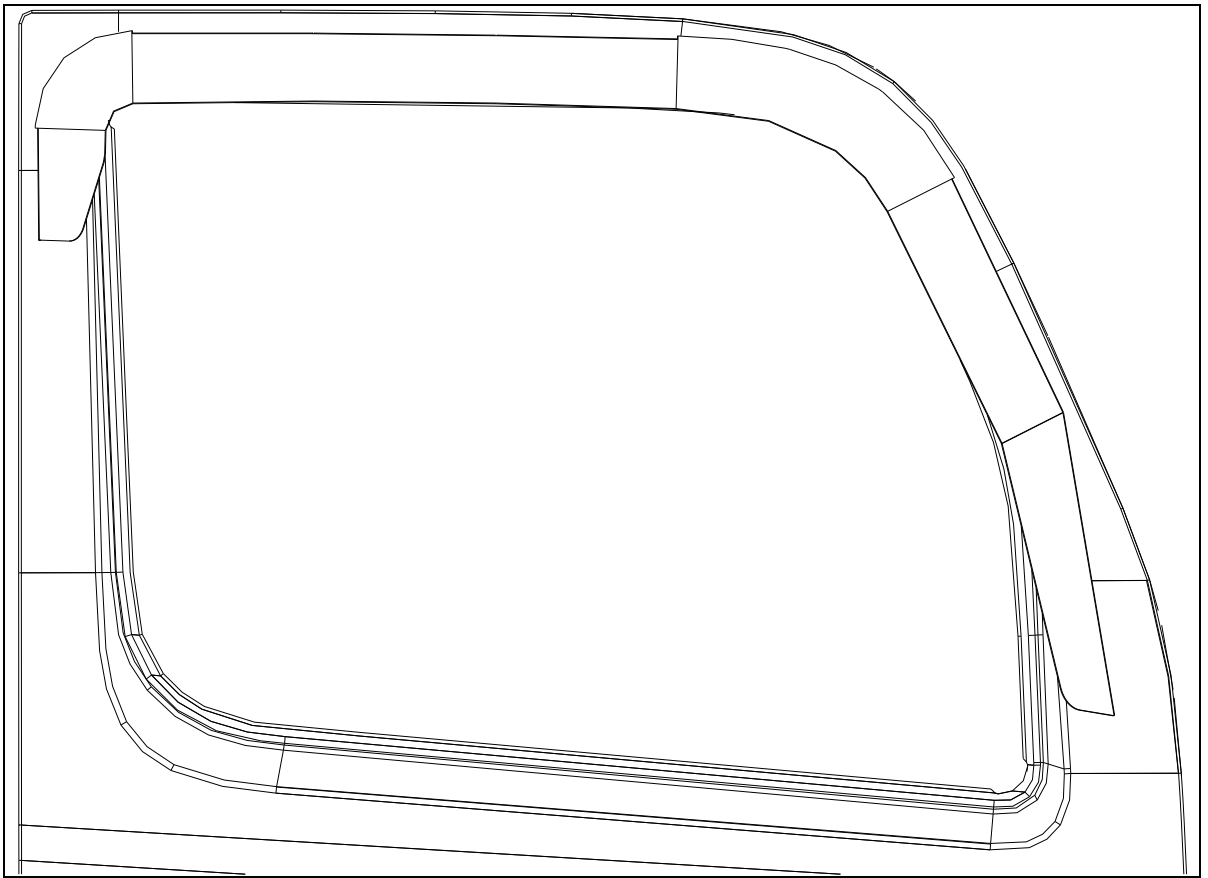


Figure B