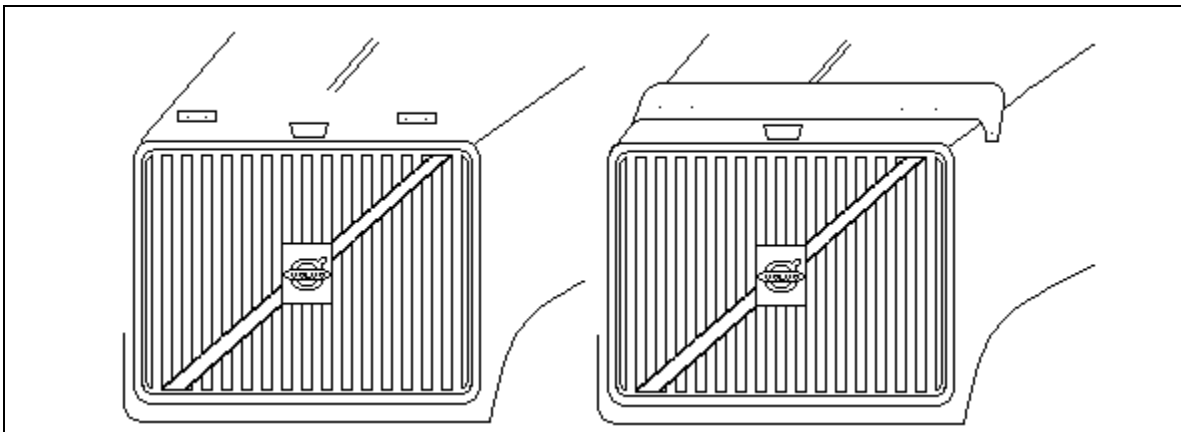


## Stainless Steel Accessories

### BUG DEFLECTOR

#### INSTALLATION INSTRUCTIONS

1. Pull back plastic coating from the bottom edge of the Bug Deflector approx. ½"
2. Remove Plastic coating around all bolt holes.
3. Attach both brackets with slots to the backside of the Bug Deflector. Do not tighten 10-32 screws with locknuts all the way. Allow brackets to slide freely.



4. Install rubber channel to bottom edge to protect from scratching.
5. Place Bug Deflector on hood directly behind grill bezel or grab handle (on some models designed without grill bezels). Hold Bug Deflector in desired position, making sure the Bug Deflector is centered on hood, and parallel with grill.
6. Mark all six holes through brackets onto hood.
7. Set aside Bug Deflector, tilt hood to forward position.
8. With two people, hold Bug Deflector in the proper position, and another inside the hood to attach remaining screws, nuts, and washers.
9. Tighten the four small screws (10-32x1/2") on the face of the Bug Deflector, and pull off remaining plastic coating.