

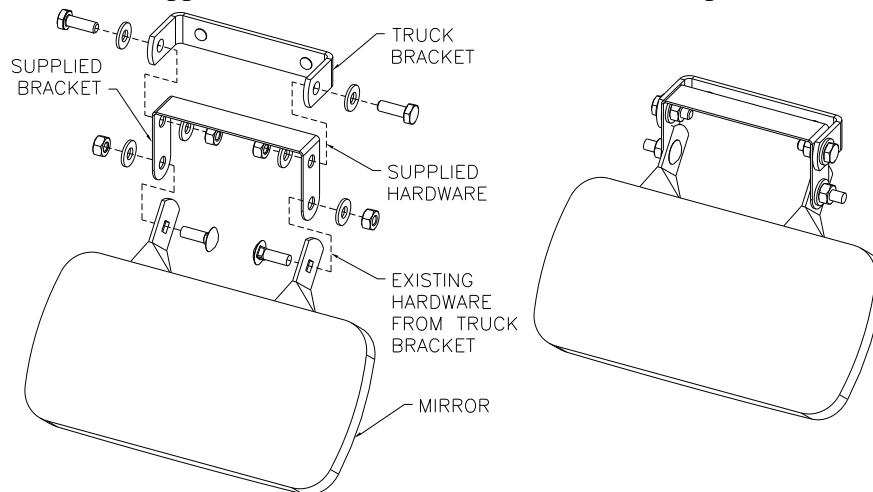
Stainless Steel Accessories

WINDOW SHADE, PETERBILT

INSTALLATION INSTRUCTIONS

Note: if your shade has no bracket & no cutout start at step 4.

1. Remove mirror from truck bracket on passenger side. Set hardware aside.
2. Attach supplied bracket to truck bracket using supplied hardware (see below)
3. Attach mirror to supplied bracket with hardware set aside in step 1 (see below)



4. Hold window shade up against door and ensure the contour of shade conforms to door.
5. Prepare the mounting surface of the door according to 3M tape instructions provided.
6. Remove the backing of tape from window shade and attach window shade to door ensuring the contour of shade conforms to that of the door. Refer to 3M tape instructions provided to ensure proper adhesion. Rolling down the window and securing the three mounting flanges with spring clamps will help adhesion.

